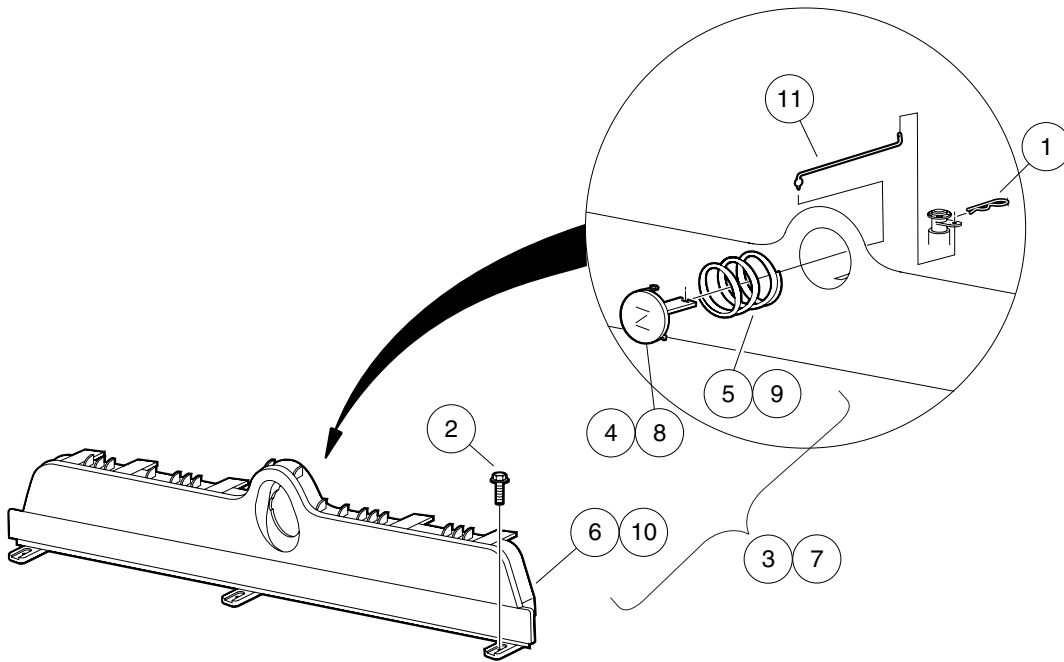


1
G
E



000501-001

KICK PLATE – GASOLINE VEHICLE

ITEM	PART NO.	DESCRIPTION	QTY
		1 2 3 4	
1	1014413	Pin, Hair Spring Cotter	1
2	102298030	Screw, K80x30, Torx Pn Hd Pt	3
3	102511701	Asm-gas Kick Plate, Grey (includes items 4 through 6)	1
4	101811401	Lever, Choke	1
5	101856201	Compression Spring	1
6	102511801	Plate -gas Kick, Grey	1
7	102511702	Asm-gas Kick Plate, Blk (includes items 8 through 10)	1
8	101811401	Lever, Choke	1
9	101856201	Compression Spring	1
10	102511802	Plate - Gas Kick, Blk	1
11	102514401	Rod, Choke Button	1

1
G
E