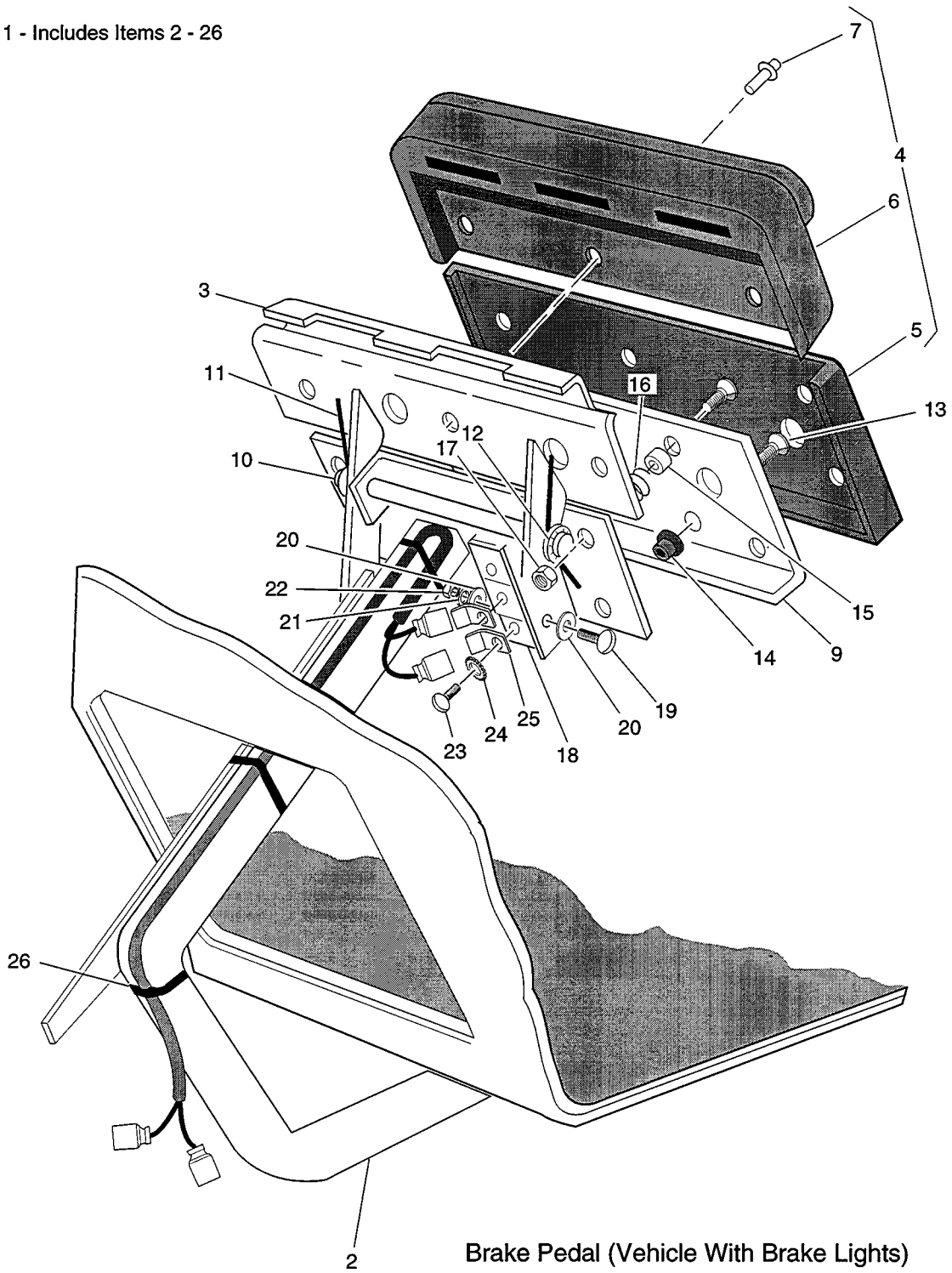


1 - Includes Items 2 - 26



BRAKES

Electric Vehicle

THE USE OF NON UL PARTS WILL VOID ANY UL LISTING.

When ordering parts, please specify the model and serial number of the product.

* Indicates a component that is not available as an individual part.

G** Indicates consult Customer Service Department for additional information.

ITEM	PART NO.	1 2 3 4 5	DESCRIPTION	QTY.
1	70263-G01		BRAKE PEDAL ASSEMBLY (INCLUDES ITEMS 2 - 26) VEHICLES WITH BRAKE LIGHTS	1
2	*		BRAKE PEDAL	1
3	*		PARK BRAKE PEDAL.....	1
4	70274-G01		BRAKE/PARK BRAKE PEDAL PAD KIT (INCLUDES ITEMS 5 - 7)	1
5	*		SERVICE BRAKE PEDAL PAD	1
6	*		PARK BRAKE PAD	1
7	15766-G1		RIVET, 3/8 x 15/32" LG.	9
8				
9	*		SERVICE BRAKE PEDAL PLATE	1
10	15932-G2		PIVOT PIN	1
11	11737-G1		TORSION SPRING.....	2
12	12064-G1		PUSHNUT, 5/16"	1
13	00737-G8		SCREW, #10 - 24 X 1" LG.	4
14	00739-G1		RUBBER NUT, #10 - 24.....	2
15	22362-G3		BRAKE PEDAL STANDOFF	2
16	27137-G01		CONICAL SPRING	2
17	11098-G7		LOCK NUT, #10 - 24.....	2
18	10606-G8		MICRO SWITCH.....	1
19	00645-G2		SCREW, #6 - 32 X 1 1/4" LG.	2
20	00559-G3		WASHER, #6	2
21	00565-G3		LOCK WASHER, #6.....	2
22	00525-G5		NUT, #6 - 32.....	2
23	*		BRASS SCREW	2
24	00567-G3		LOCK WASHER, #6.....	6
25	14628-G1		FASTON TAB, 5/16" X 5/16" LG.....	2
26	17618-G1		WIRE TIE	3
27				
28				
29				