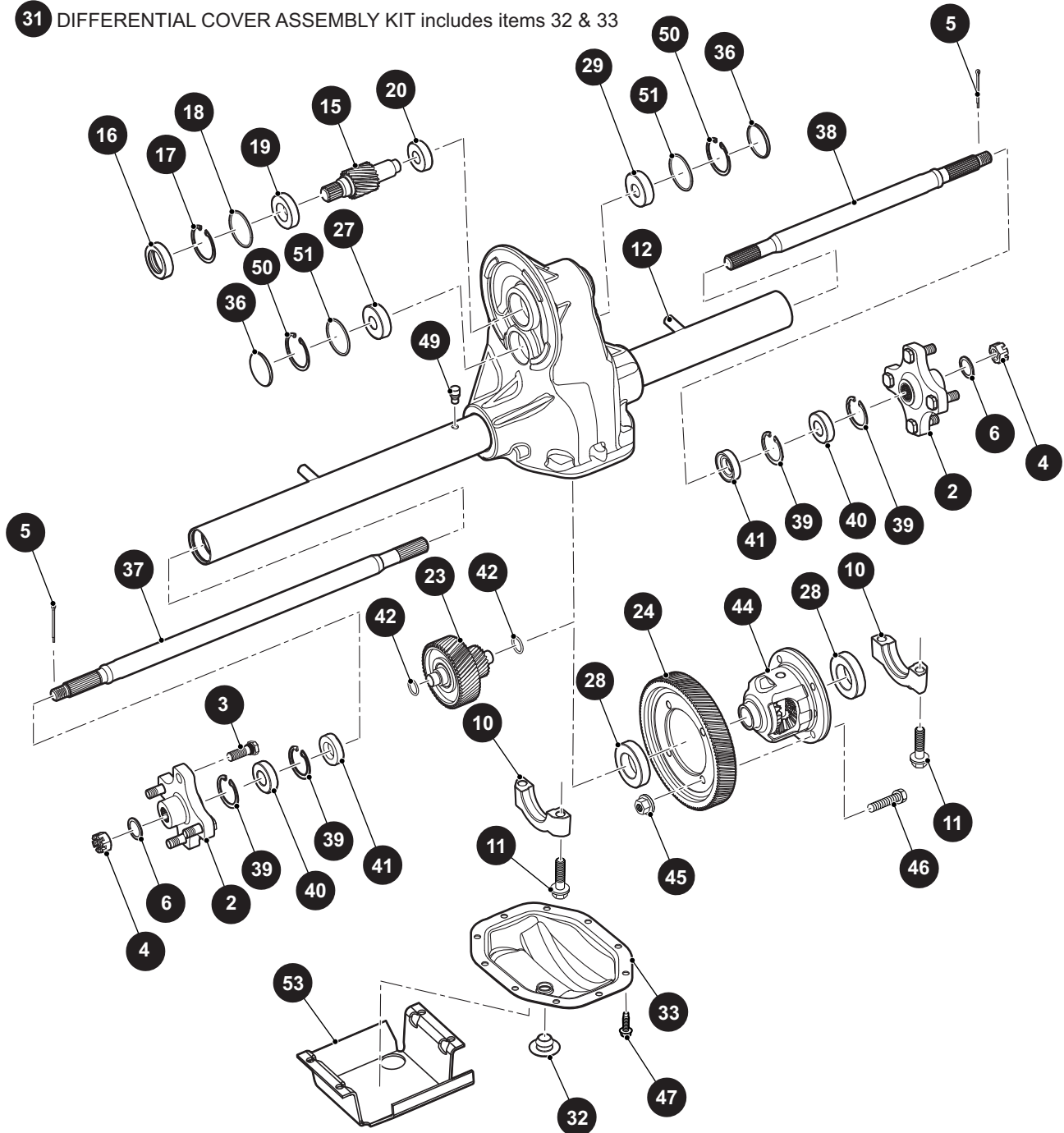


REAR AXLE

- 1 LIGHT DUTY ELECTRIC AXLE ASSEMBLY 16.99:1 includes items 2 - 9
- 9 LIGHT DUTY ELECTRIC AXLE, 16.99:1 includes items 10 - 51
- 10 AXLE HOUSING includes item 11
- 14 INPUT GEAR KIT includes items 15 - 20
- 22 INTERNAL GEARS KIT includes items 15, 23 & 24
- 26 BALL BEARING KIT includes items 19, 20 & 27 - 29
- 31 DIFFERENTIAL COVER ASSEMBLY KIT includes items 32 & 33



THE USE OF NON U.L. PARTS WILL VOID ANY U.L. LISTING.

When ordering parts, please specify the model and serial number of the product.

* Indicates a component that is not available as an individual part.

*** Indicates consult Customer Service Department for additional information.

ITEM	PART NO.	1 2 3 4 5	DESCRIPTION	QTY.
1	630901		LIGHT DUTY ELECTRIC AXLE ASSEMBLY 16.99:1 (INCLUDES ITEMS 2 - 9)	1
2	604112		REAR AXLE HUB.....	2
3	644957		WHEEL BOLT.....	8
4	612928		SLOTTED HEX NUT, 5/8" - 18	2
5	10387G1		COTTER PIN, 5/32" X 1 3/4" LG	2
6	15487G1		FLAT WASHER (BRAKE DRUM), 1.5" O.D. X .76" I.D.	2
7				
8				
9	630902		LIGHT DUTY ELECTRIC AXLE, 16.99:1 (INCLUDES ITEMS 10 - 51)	1
10	***		AXLE HOUSING (INCLUDES ITEM 11)	1
11	15118G1		FLANGED HEX HEAD BOLT, 3/8" - 16 X 2.12" LG.....	4
12				
13				
14	620329		INPUT GEAR KIT (INCLUDES ITEMS 15 - 20).....	1
15	620327		INPUT GEAR.....	1
16	620328		OIL SEAL.....	1
17	23530G1		RETAINING RING, 2.059" DIA	1
18	24628G1		O - RING SEAL, 1.84" I. D.....	1
19	23519G2		BALL BEARING, .984" I. D X 1.85" O.D.	1
20	23520G1		BALL BEARING, .669" I. D X 1.97" O. D.	1
21				
22	620361		INTERNAL GEARS KIT (INCLUDES ITEMS 15, 23 & 24)	1
23	620349		INTERMEDIATE GEAR ASSEMBLY	1
24	620350		DRIVE GEAR	1
25				
26	620362		BALL BEARING KIT (INCLUDES ITEMS 19, 20 & 27 - 29)	1
27	620340		BALL BEARING.....	1
28	17473G1		DIFFERENTIAL BEARING ASSEMBLY.....	2
29	620355		BALL BEARING.....	1
30				