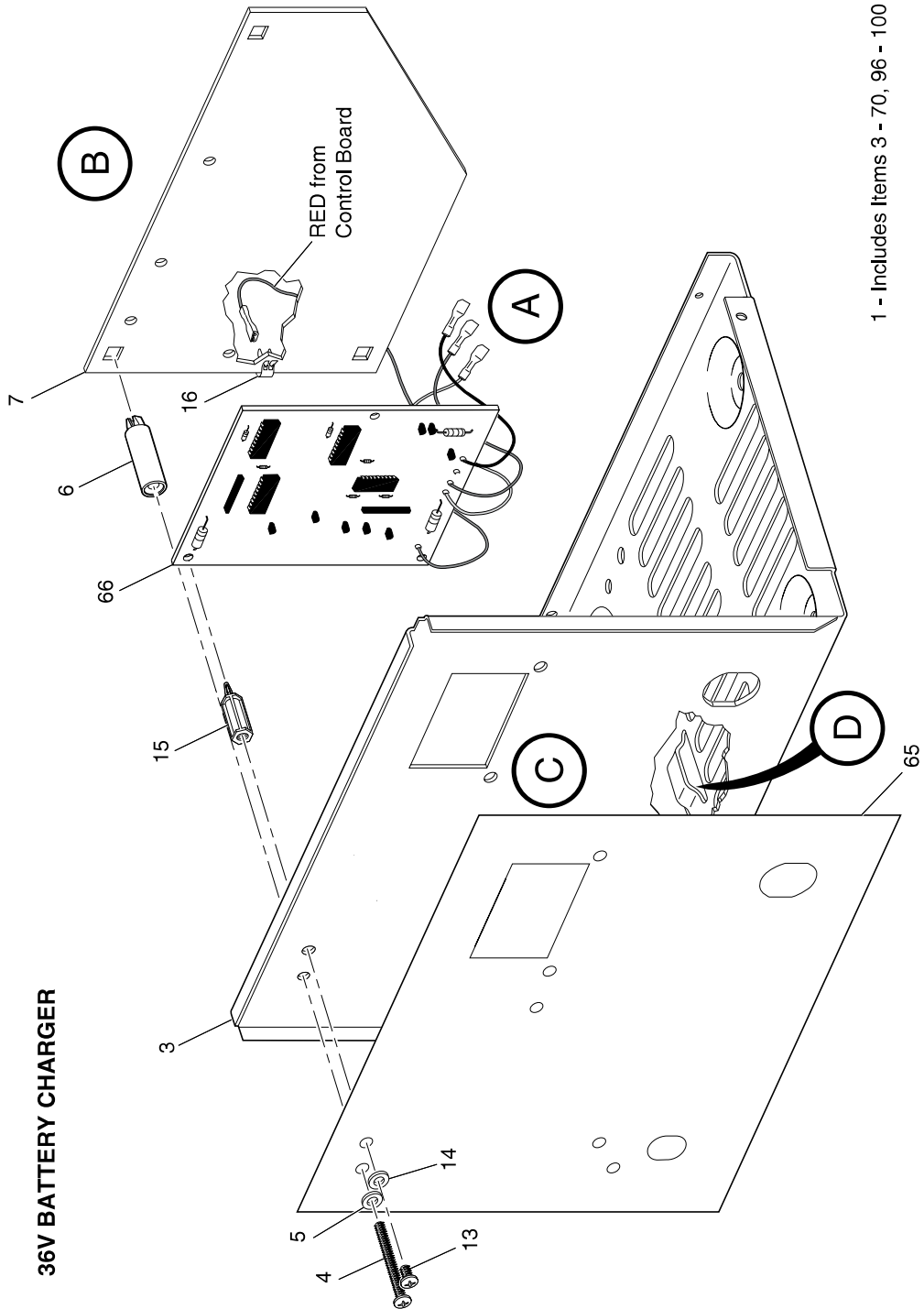


BATTERY CHARGER (PORTABLE)

36V BATTERY CHARGER

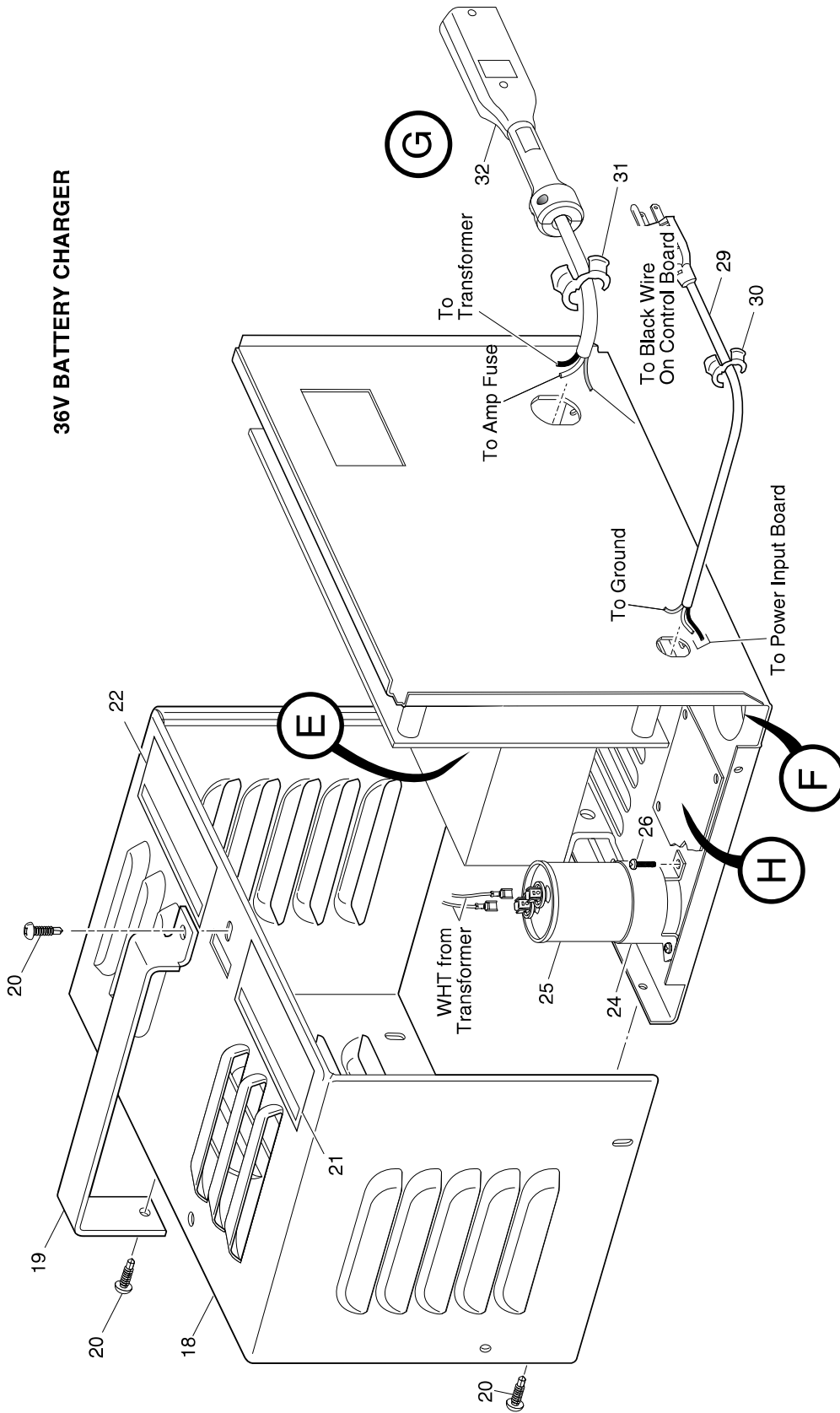


1 - Includes Items 3 - 70, 96 - 100

Ref Bcp 12-1

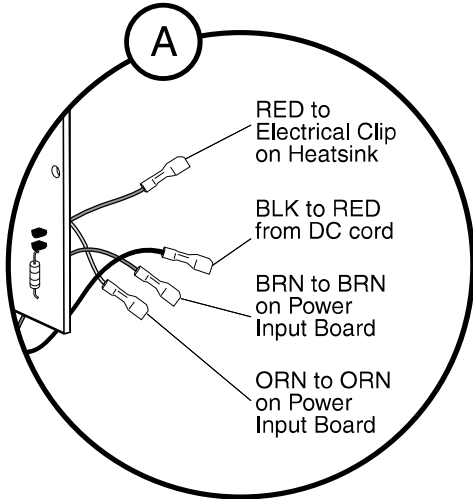
BATTERY CHARGER (PORTABLE)

36V BATTERY CHARGER

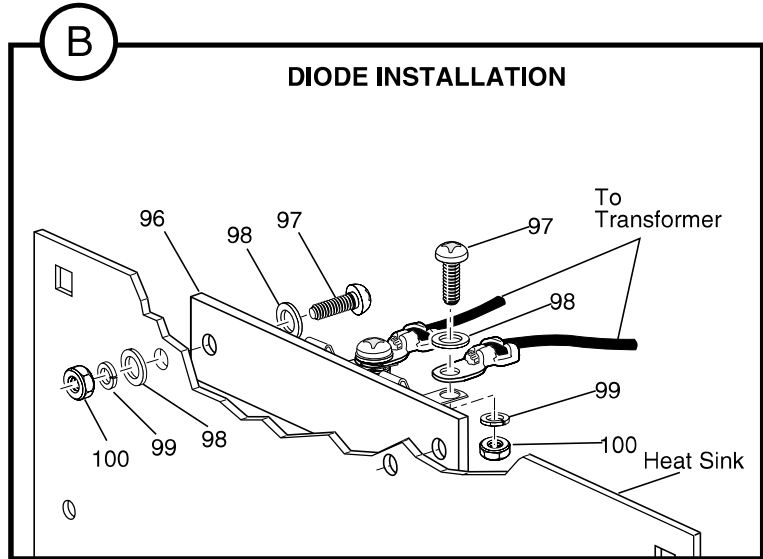


Ref Bcp 12-2

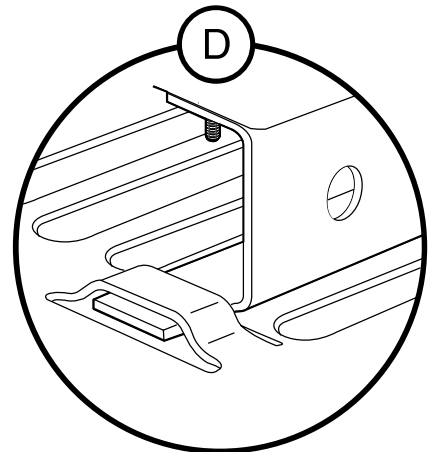
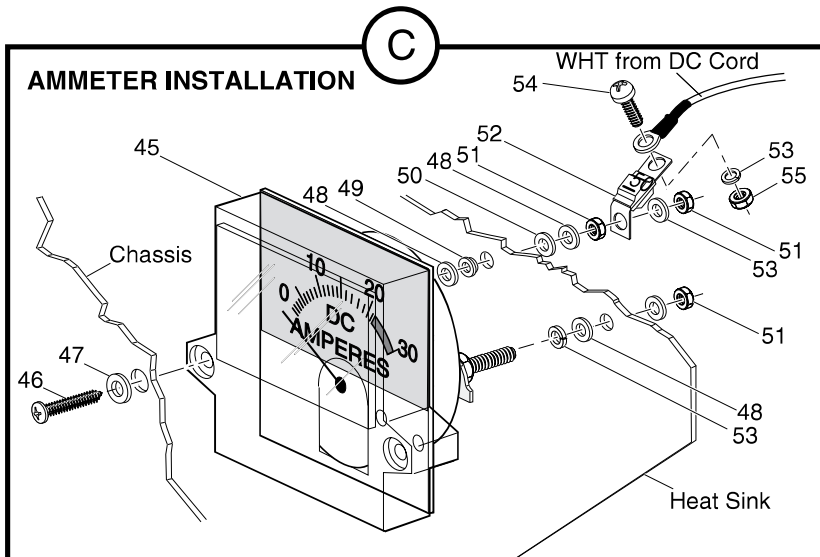
BATTERY CHARGER (PORTABLE)



CONTROL BOARD CONNECTIONS

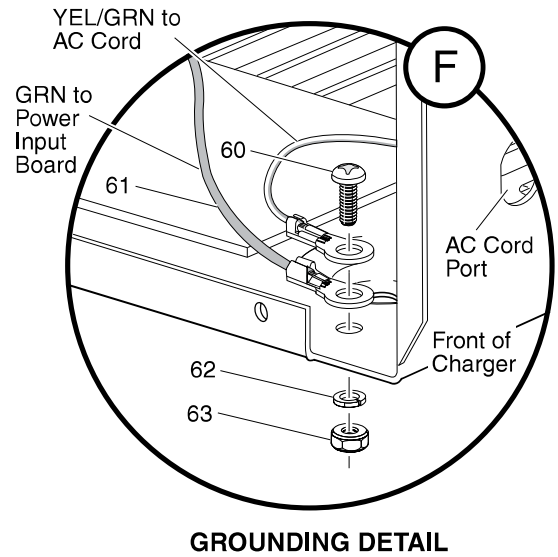
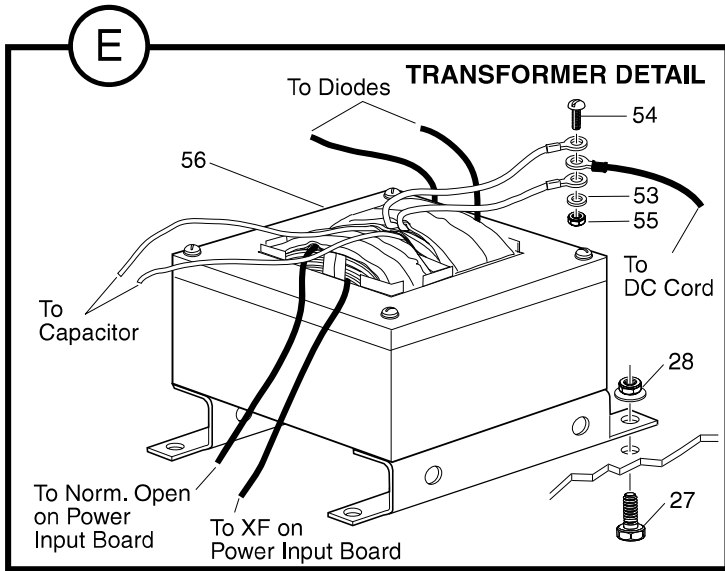


36V BATTERY CHARGER

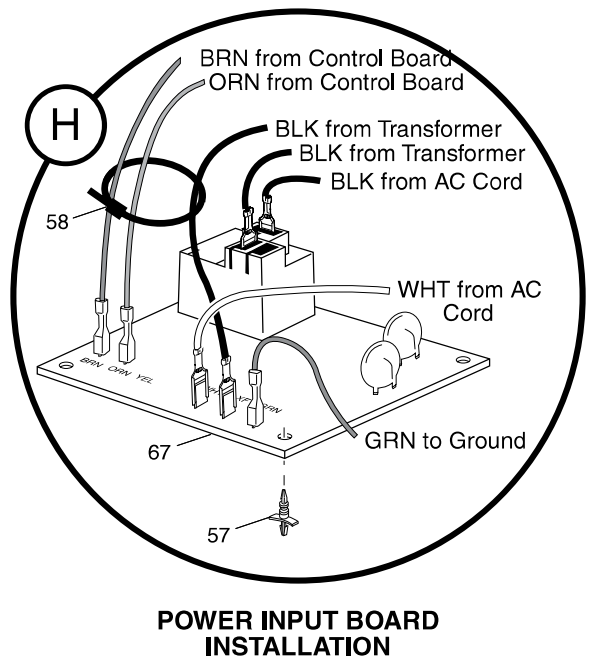
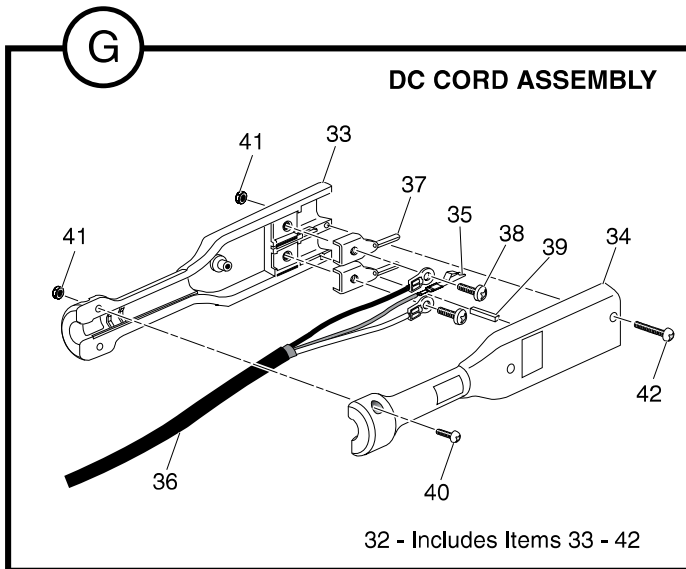


Ref Bcp 12-3

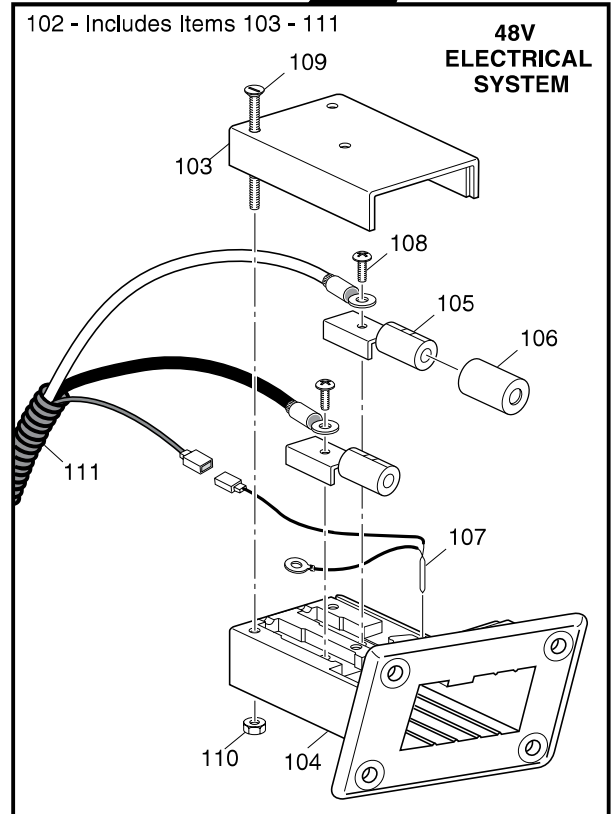
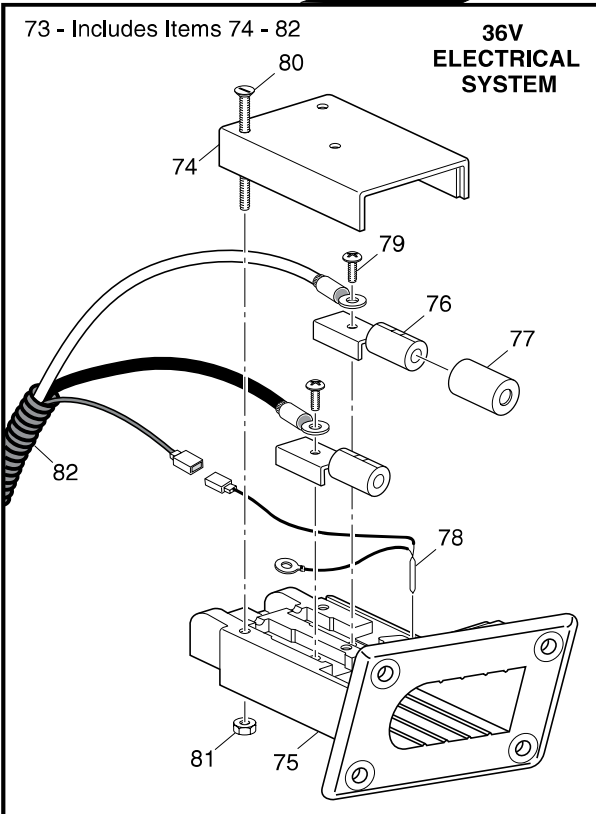
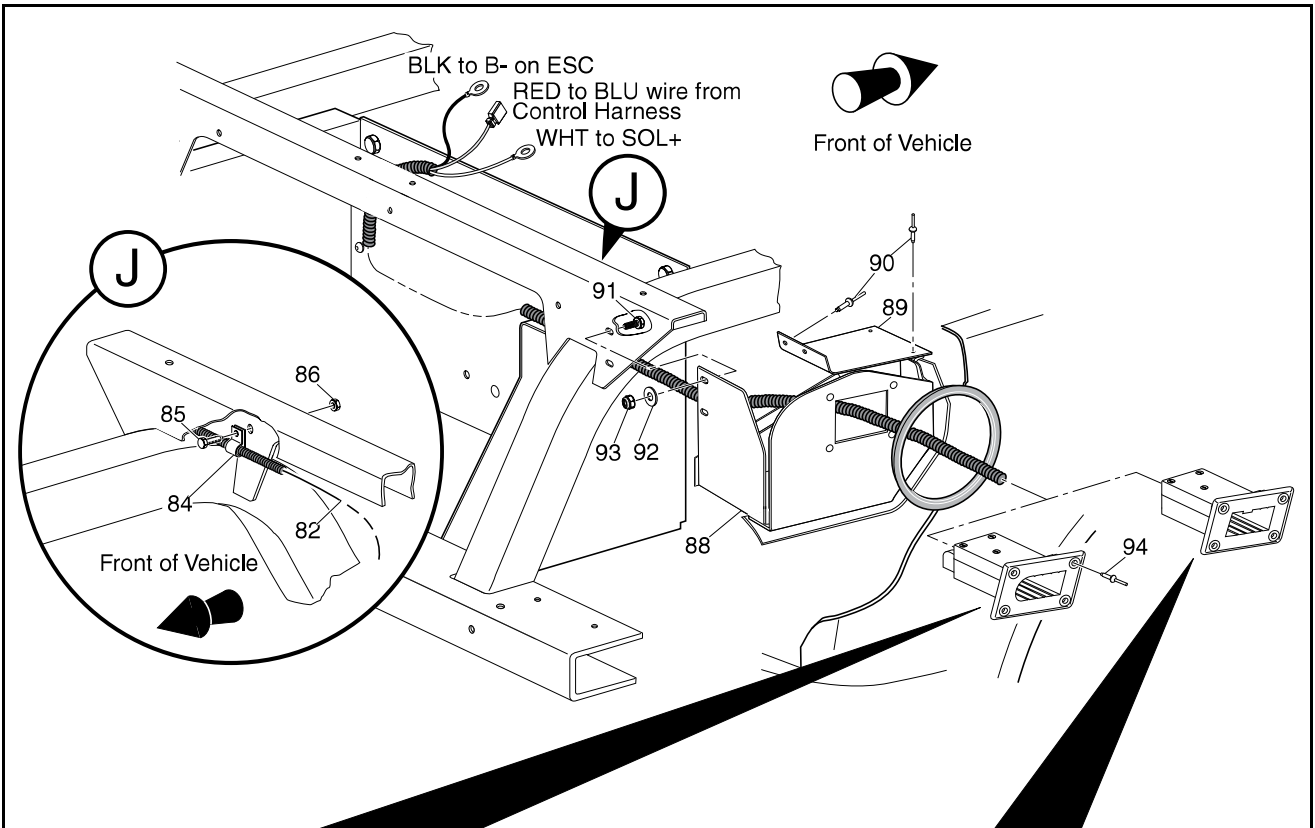
BATTERY CHARGER (PORTABLE)



36V BATTERY CHARGER

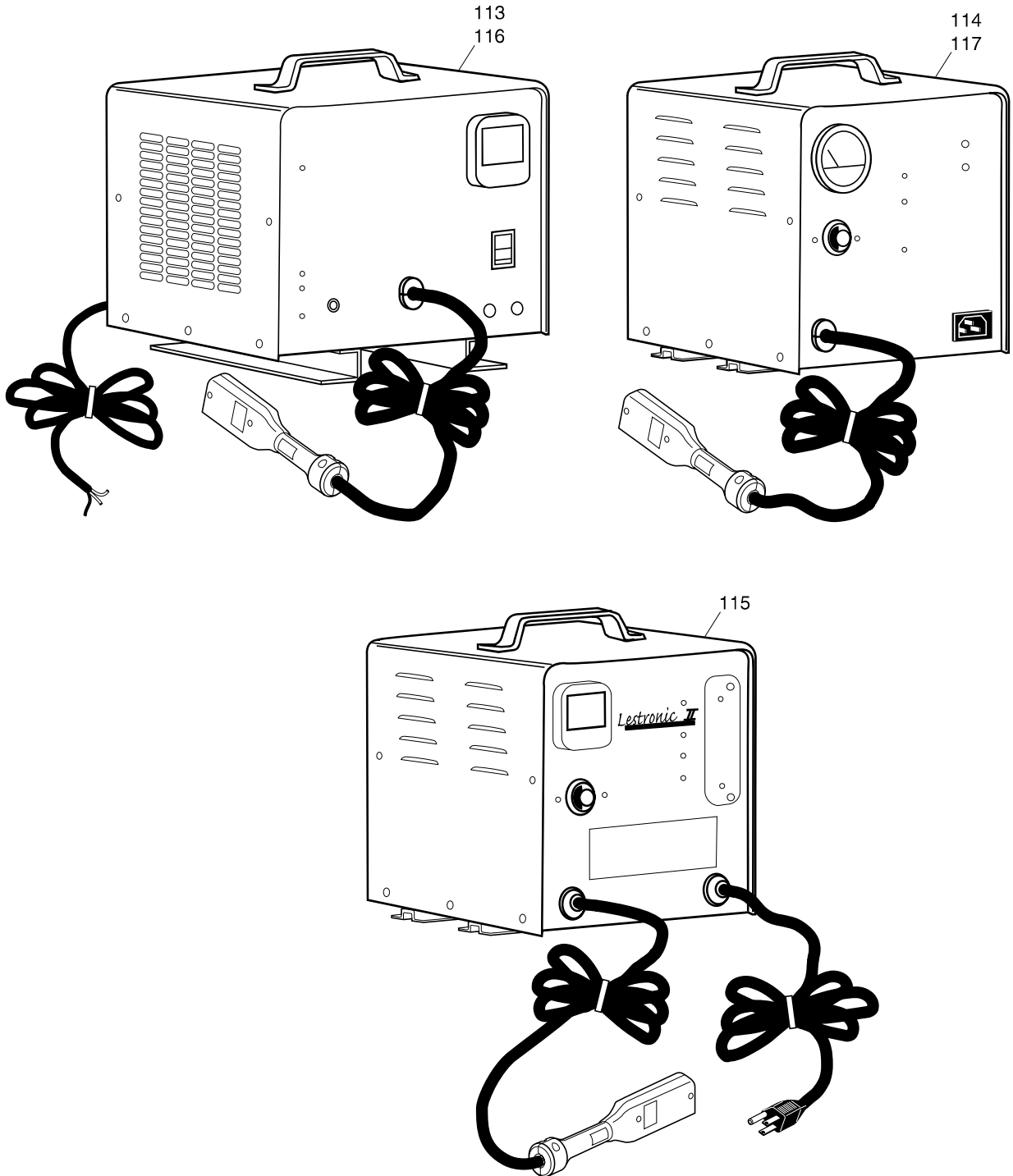


BATTERY CHARGER (PORTABLE)



Ref Bcp 12-5

BATTERY CHARGER (PORTABLE)



Ref Bcp 12-6

BATTERY CHARGER (PORTABLE)

When ordering parts, please specify the model and serial number of the product.

* Indicates a component that is not available as an individual part.

G** Indicates consult Customer Service Department for additional information.

ITEM	PART NO.	1	2	3	4	5	DESCRIPTION	QTY.
1	28115-G01						POWERWISE™ 36V CHARGER (INCLUDES ITEMS 3 - 70, 96 - 100).....	1
2								
3	*						CHASSIS	1
4	00513-G6						SCREW, #8 - 18 X 1 3/4" LG	2
5	00559-G4						WASHER, #8	2
6	11572-G3						EXPANSION NUT	2
7	28104-G01						HEAT SINK	1
8								
9								
10								
11								
12								
13	01005-G01						SCREW, #6 - 19 X 5/16" LG	3
14	00559-G3						WASHER, #6	3
15	28111-G01						SUPPORT SPACER	3
16	28110-G01						ELECTRICAL CLIP	1
17								
18	*						COVER	1
19	28102-G01						HANDLE	1
20	00614-G4						SCREW, #8 - 18 X 1/2" LG	6
21	28136-G01						LABEL (VENTILATION)	1
22	28136-G02						LABEL (CORD CONDITION).....	1
23								
24	26979-G01						CAPACITOR BRACKET	1
25	28109-G01						CAPACITOR	1
26	00969-G01						SCREW, #8 - 32 X 3/8" LG	3
27	00414-G5						BOLT, 1/4 - 20 X 5/8" LG.....	3
28	11027-G2						LOCK NUT, 1/4 - 20.....	3
29	19388-G4						AC CORD	1
30	13557-G2						STRAIN RELIEF (AC).....	1

BATTERY CHARGER (PORTABLE)

When ordering parts, please specify the model and serial number of the product.

* Indicates a component that is not available as an individual part.

G** Indicates consult Customer Service Department for additional information.

ITEM	PART NO.	1	2	3	4	5	DESCRIPTION	QTY.
31	13557-G3						STRAIN RELIEF (DC).....	1
32	28137-G01						DC CORD AND HANDLE ASSEMBLY (INCLUDES ITEMS 33 - 42).....	1
33	73051-G11						PLUG (TOP HALF).....	1
34	73051-G12						PLUG (BOTTOM HALF).....	1
35	73051-G27						AUXILARY CONTACT.....	1
36	73331-G01						DC CORD.....	1
37	73051-G14						MALE PIN.....	2
38	73051-G08						BRASS SCREW, #10 - 32 X 1/2" LG	2
39	73051-G15						MAGNET	1
40	73051-G16						SCREW, #6 - 32 X 1/2" LG (STAINLESS STEEL)	2
41	73051-G10						LOCK NUT, #6 - 32	4
42	73051-G17						SCREW, #6 - 32 X 1" LG (STAINLESS STEEL)	2
43								
44								
45	28105-G01						AMMETER	1
46	00984-G01						SCREW, #8 - 16 X 1/2" LG	2
47	00559-G4						WASHER, #8	2
48	01003-G01						BRASS WASHER, #10	4
49	22589-G2						SHOULDER WASHER, 1/4"	1
50	00771-G6						NYLON WASHER, 3/8"	1
51	00528-G4						NUT, #10 - 32 (BRASS)	3
52	28106-G01						50 AMP FUSE.....	1
53	00565-G5						LOCK WASHER, #10	4
54	00378-G4						SCREW, #10 - 24 X 1/2" LG	2
55	00526-G3						NUT, #10 - 24.....	2
56	28103-G01						TRANSFORMER	1
57	27877-G01						SPACER SUPPORT	4
58	17618-G1						WIRE TIE	2
59								
60	00372-G3						SCREW, #8 - 32 X 3/8" LG	1

BATTERY CHARGER (PORTABLE)

When ordering parts, please specify the model and serial number of the product.

* Indicates a component that is not available as an individual part.

G** Indicates consult Customer Service Department for additional information.

ITEM	PART NO.	1	2	3	4	5	DESCRIPTION	QTY.
61	25977-G32						16 GA WIRE (GREEN 4")	1
62	00565-G4						LOCK WASHER, #8	1
63	00526-G1						NUT, #8 - 32.....	1
64								
65	*						LABEL (POWERWISE™)	1
66	28566-G01						CONTROL BOARD.....	1
67	28566-G03						POWER INPUT BOARD.....	1
68								
69								
70								
71								
72								
73	73149-G01						36V CHARGER RECEPTACLE AND HARNESS ASSEMBLY (INCLUDES ITEMS 74 - 82).....	1
74	73051-G03						RECEPTACLE COVER	1
75	73051-G04						RECEPTACLE BOTTOM.....	1
76	73051-G05						FEMALE CONNECTOR	2
77	73051G06						INSULATOR SLEEVE.....	1
78	73051-G07						REED SWITCH.....	1
79	73051-G08						SCREW, #10 - 32 X 1/2" LG (BRASS)	2
80	73051-G09						SCREW, #6 - 32 X 1 3/4" LG (STAINLESS STEEL).....	3
81	73051-G10						LOCK NUT, #6 - 32	3
82	73147-G01						WIRE HARNESS (CHARGER).....	1
83								
84	11845-G7						INSULATED CABLE CLAMP, 1/2"	1
85	00414-G6						BOLT, 1/4 - 20 X 3/4" LG	1
86	00654-G2						LOCK NUT, 1/4 - 20 (STAINLESS STEEL)	1
87								
88	34729-G01						CORD STORAGE ASSEMBLY	1
89	34717-G01						CORD STORAGE SUPPORT	1

BATTERY CHARGER (PORTABLE)

When ordering parts, please specify the model and serial number of the product.

* Indicates a component that is not available as an individual part.

G** Indicates consult Customer Service Department for additional information.

ITEM	PART NO.	1	2	3	4	5	DESCRIPTION	QTY.
90	14601-G8						RIVET, 3/16" X 7/16" LG (ALUMINUM).....	4
91	00414-G6						BOLT, 1/4 - 20 X 3/4" LG	2
92	01110-G01						WASHER, 1/4" (STAINLESS STEEL)	2
93	00654-G2						LOCK NUT, 1/4 - 20 (STAINLESS STEEL)	2
94	14601-G7						RIVET, 3/16" X 11/16" LG (ALUMINUM)	4
95								
96	28548-G01						DIODE	1
97	00372-G4						SCREW, #8 - 32 X 1/2" LG.....	4
98	00559-G4						WASHER, #8.....	10
99	00565-G4						LOCK WASHER, #8.....	4
100	00526-G1						NUT, #8 - 32	4
101								
102	73149-G02						48V CHARGER RECEPTACLE (BLUE) AND HARNESS ASSEMBLY (INCLUDES ITEMS 103 - 111)	1
103	73051-G21						48V RECEPTACLE COVER	1
104	73051-G22						48V RECEPTACLE BOTTOM.....	1
105	73051-G23						48V FEMALE CONNECTOR	2
106	73051-G24						48V INSULATOR SLEEVE	1
107	73051-G18						48V REED SWITCH	1
108	73051-G08						SCREW, #10 - 32 X 1/2" LG (BRASS)	2
109	73051-G09						SCREW, #6 - 32 X 1 3/4" LG (STAINLESS STEEL).....	3
110	73051-G10						LOCK NUT, #6 - 32	3
111	73147-G01						WIRE HARNESS (CHARGER).....	1
112								
113	28380-G02						36V LESTER BATTERY CHARGER WITH SWITCHABLE INPUT	1
114	28516-G01						36V LESTER BATTERY CHARGER CE APPROVED.....	1
115	28435-G03						48V LESTER BATTERY CHARGER.....	1
116	28435-G01						48V LESTER BATTERY CHARGER WITH SWITCHABLE INPUT	1
117	28435-G05						48V LESTER BATTERY CHARGER CE APPROVED.....	1

BATTERY CHARGER (PORTABLE)

When ordering parts, please specify the model and serial number of the product.

* Indicates a component that is not available as an individual part.

G** Indicates consult Customer Service Department for additional information.

ITEM	PART NO.	1	2	3	4	5	DESCRIPTION	QTY.
							<p>For service or replacement parts, contact: Lester Electrical 625 West "A" Street Lincoln, NE 68522</p> <p>Phone: (402) 477-8988, FAX: (402) 474-1769</p> <p>Always provide the following information when requesting information or ordering replacement parts:</p> <p>Model Number: Serial Number: (stamped into housing)</p>	