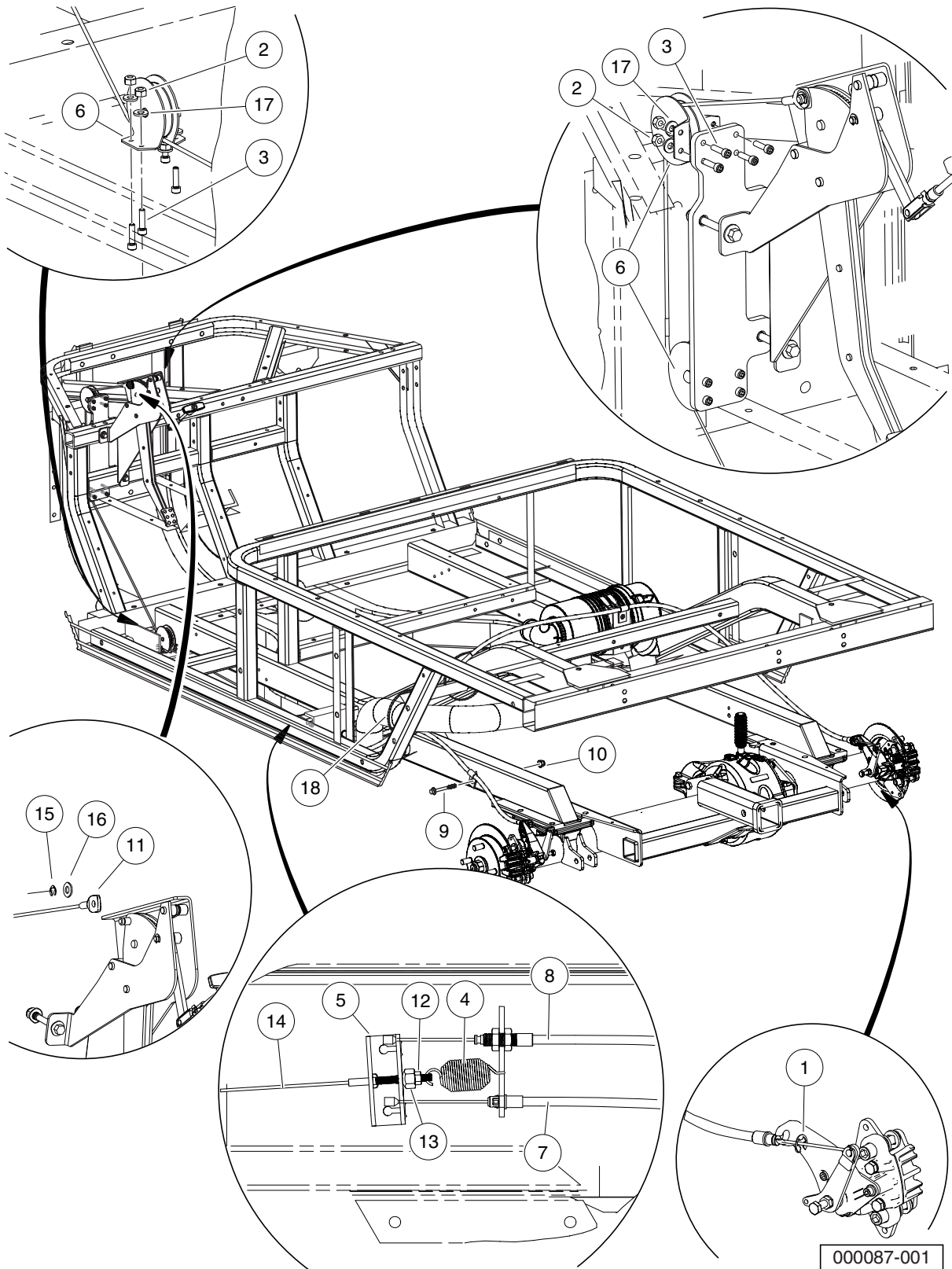


4

G

D



PARK BRAKE ASSEMBLY WITH PULLEY SYSTEM

ITEM	PART NO.	DESCRIPTION	QTY
		1 2 3 4	
1	1011779	E-Clip, 1/2	2
2	1012438	Locknut, #10-24 Nylon Insert	12
3	101260202	Screw, #10-24 X 3/4 Socket-Head	12
4	1013531	Spring, Brake Return	1
5	101990802	Equalizer Bracket	1
6	102028302	Pulley, 2-Inch Flat Mount	3
7	102442701	Cable, Brake, Parking, Left	1
8	102442801	Cable, Brake, Parking, Right	1
9	102618301	Bolt Flanged Head, M8 X 1.25 X 65	1
10	102618601	Lock Nut, Flg M8 X 1.25 Nylon	1
11	102770001	Brake Cable, Park, Kit, Front (includes items 12 through 16)	1
12	1010521	Nut, 5/16-24 Hex	1
13	102052801	Nut, 5/16-24 Hex Cone	1
14	N/A	Cable, Brake, Parking, Front	1
15	102692801	Ring, Retaining, External, 9mm	1
16	1241	Washer, 5/16 Type A Flat	1
17	183	Washer, #10 Type A Flat	12
18	8639	Tie Wrap, 11" Nylon	2

4

G

D