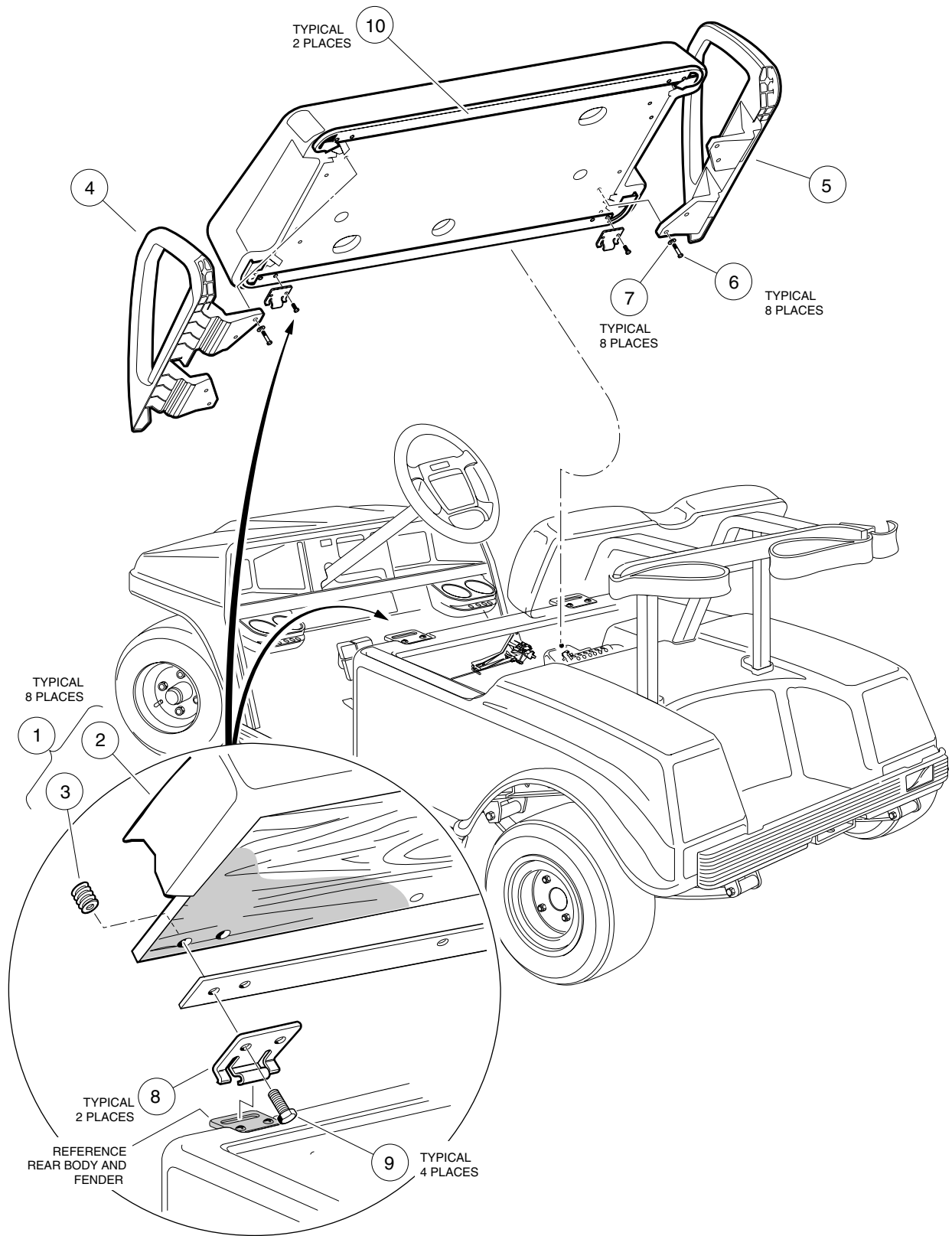


1
G
E



SEAT BOTTOM AND ARMREST

| ITEM | PART NO. | DESCRIPTION | QTY GAS | QTY ELEC |
|------|-----------|--|------------|-------------|
| | | 1 2 3 4 | | |
| 1 | 102174201 | Assembly, Seat Bottom – Buff (includes items 2 and 3) | 1 | 1 |
| 1 | 102174202 | Assembly, Seat Bottom – White (includes items 2 and 3) | 1 | 1 |
| 1 | 102174204 | Assembly, Seat Bottom – Black (includes items 2 and 3) | 1 | 1 |
| 1 | 102174205 | Assembly, Seat Bottom – Gray (includes items 2 and 3) | 1 | 1 |
| 2 | 101998201 | Cover, Vinyl Seat Bottom – Buff | 1 | 1 |
| 2 | 101998202 | Cover, Vinyl Seat Bottom – White | 1 | 1 |
| 2 | 101998204 | Cover, Vinyl Seat Bottom – Black | 1 | 1 |
| 2 | 101998205 | Cover, Vinyl Seat Bottom – Gray | 1 | 1 |
| 3 | 1010543 | Insert, Wood | 12 | 12 |
| 4 | 101987601 | Armrest, Driver Side | 1 | 1 |
| 5 | 101985501 | Armrest, Passenger Side | 1 | 1 |
| 6 | 1016916 | Screw, Hex Head Cap, 1/4-20 x 1-1/2 | 8 | 8 |
| 7 | 332 | Washer, Flat, Type A | 8 | 8 |
| 8 | 1011652 | Plate, Seat Hinge, Stainless Steel | 2 | 2 |
| 9 | 101954301 | Screw, Hex Head Cap, 1/4-20 x 3/4 (with patch) | 4 | 4 |
| 10 | 101998501 | Gasket, Seat | 2 | 2 |

1
G
E