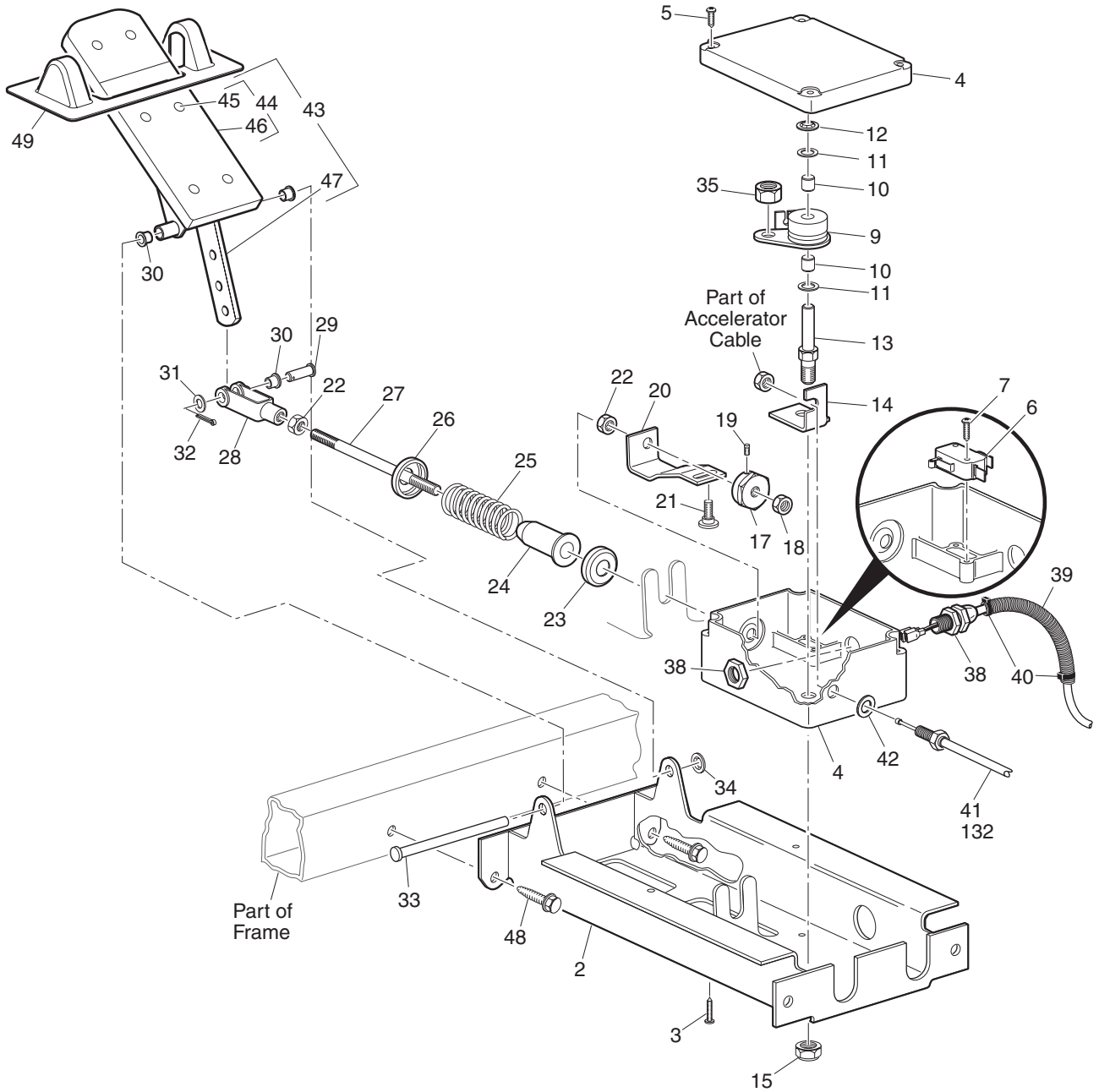


ACCELERATOR - CABLE AND LINKAGES

1 - Includes Items 2 - 47
 131 - Includes Items 2 - 40, 42 - 47, 132

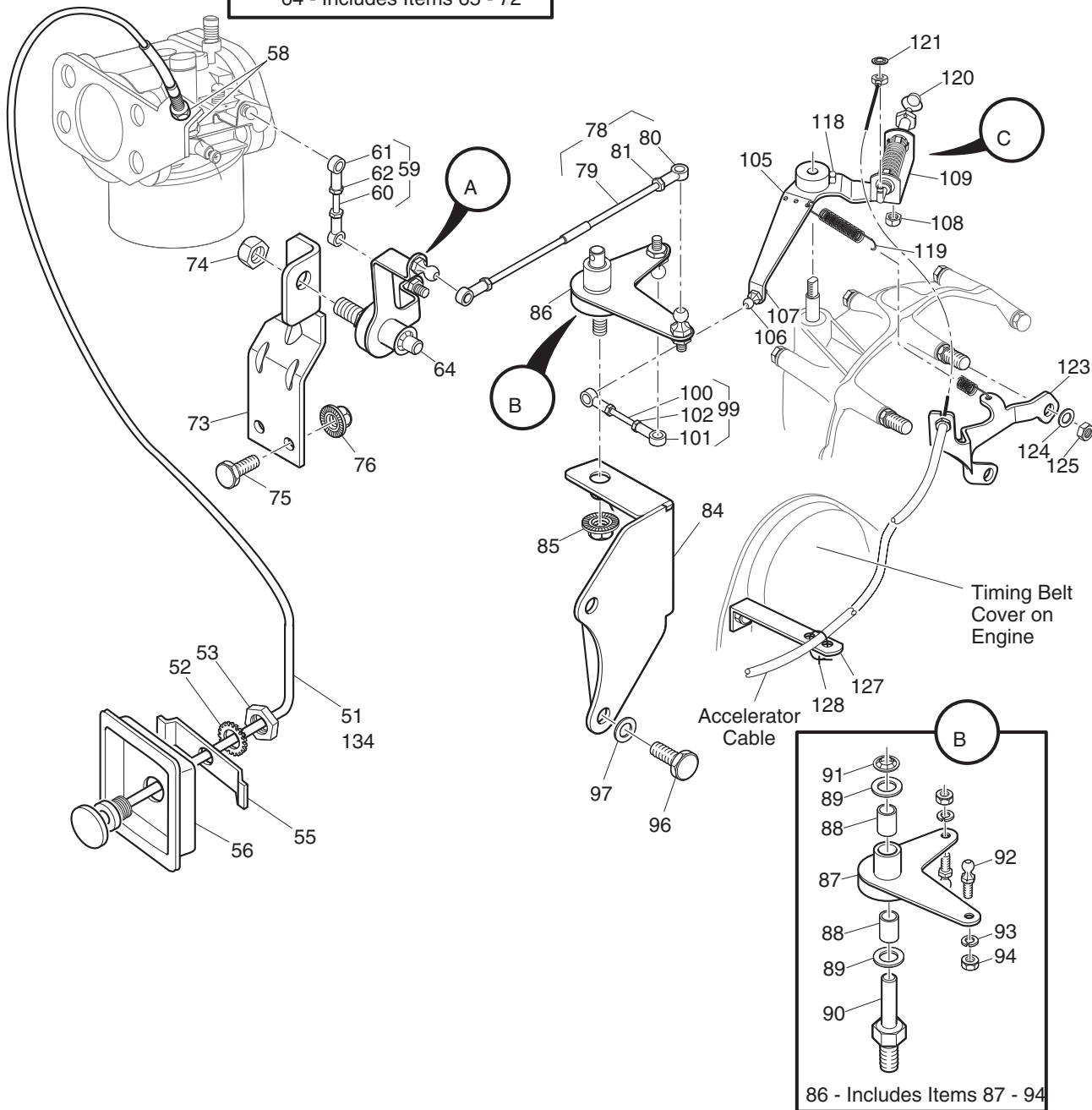
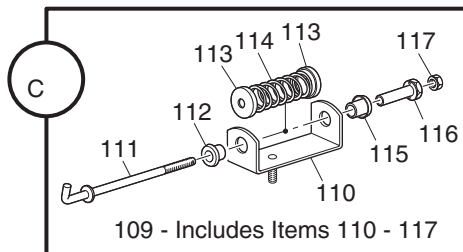
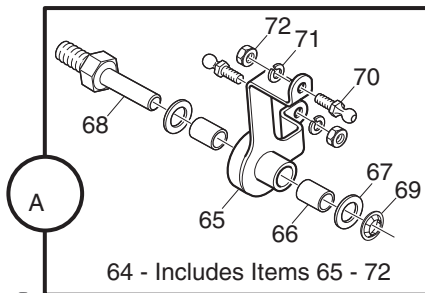


Ref Acl 9-1

ACCELERATOR - CABLE AND LINKAGES

83 - Includes Items 84 - 94

104 - Includes Items 105 - 117



Ref Acl 9-2

ACCELERATOR - CABLE AND LINKAGES

THE USE OF NON U.L. PARTS WILL VOID ANY U.L. LISTING.

When ordering parts, please specify the model and serial number of the product.

* Indicates a component that is not available as an individual part.

G** Indicates consult Customer Service Department for additional information.

| ITEM | PART NO. | 1 | 2 | 3 | 4 | 5 | DESCRIPTION | QTY. | |
|------|-----------|---|---|---|---|---|-------------|------|---|
| 1 | 72062-G03 | PEDAL BOX ASSEMBLY (INCLUDES ITEMS 2 - 47) (ST 350) | | | | | | | 1 |
| 2 | 70116-G01 | ACCELERATOR PEDAL BRACKET..... | | | | | | | 1 |
| 3 | 01051-G01 | SCREW, #8 - 16 X 1/2" LG | | | | | | | 4 |
| 4 | 25853-G02 | PEDAL BOX AND COVER | | | | | | | 1 |
| 5 | 00684-G6 | SCREW, #8 - 32 X 3/4" LG (STAINLESS STEEL)..... | | | | | | | 4 |
| 6 | 25861-G01 | MICRO SWITCH..... | | | | | | | 1 |
| 7 | 01050-G01 | SCREW, #4 - 20 X 5/8" LG | | | | | | | 2 |
| 8 | | | | | | | | | |
| 9 | 72066-G01 | CONTROL ARM | | | | | | | 1 |
| 10 | 23860-G1 | BEARING..... | | | | | | | 2 |
| 11 | 24621-G1 | NYLON WASHER, 5/16"..... | | | | | | | 2 |
| 12 | 12064-G1 | PUSH NUT, 5/16"..... | | | | | | | 1 |
| 13 | 25768-G01 | PIVOT ROD | | | | | | | 1 |
| 14 | 72199-G01 | PIVOT BRACKET | | | | | | | 1 |
| 15 | 14390-G1 | LOCK NUT, 3/8 - 24..... | | | | | | | 1 |
| 16 | | | | | | | | | |
| 17 | 72198-G03 | MICRO SWITCH CAM..... | | | | | | | 1 |
| 18 | 00550-G4 | LOCK NUT, 5/16 - 24 | | | | | | | 1 |
| 19 | 00487-G3 | SETSCREW, 1/4 - 20 X 3/8" LG | | | | | | | 1 |
| 20 | 72074-G01 | CONTROL ARM LINK | | | | | | | 1 |
| 21 | 72225-G01 | SHOULDER BOLT, #10 - 24 X 11/16" LG..... | | | | | | | 1 |
| 22 | 00532-G4 | NUT, 5/16 - 24..... | | | | | | | 2 |
| 23 | 17677-G1 | SPRING RETAINER | | | | | | | 1 |
| 24 | 17979-G1 | ACCELERATOR ROD BUSHING | | | | | | | 1 |
| 25 | 73046-G01 | COMPRESSION SPRING | | | | | | | 1 |
| 26 | 17677-G2 | SPRING RETAINER | | | | | | | 1 |
| 27 | 72072-G01 | ACCELERATOR ROD | | | | | | | 1 |
| 28 | 10385-G4 | CLEVIS YOKE (ADJUSTABLE)..... | | | | | | | 1 |
| 29 | 10386-G3 | CLEVIS PIN, 5/16" X 13/16" LG | | | | | | | 1 |
| 30 | 17838-G1 | NYLON BUSHING | | | | | | | 3 |

ACCELERATOR - CABLE AND LINKAGES

THE USE OF NON U.L. PARTS WILL VOID ANY U.L. LISTING.

When ordering parts, please specify the model and serial number of the product.

* Indicates a component that is not available as an individual part.

G** Indicates consult Customer Service Department for additional information.

| ITEM | PART NO. | 1 | 2 | 3 | 4 | 5 | DESCRIPTION | QTY. |
|------|-----------|---|---|---|---|---|---|------|
| 31 | 17255-G1 | | | | | | TEFLON WASHER, 5/16" | 1 |
| 32 | 10387-G3 | | | | | | COTTER PIN, 3/32" X 3/4" LG | 1 |
| 33 | 74432-G01 | | | | | | PEDAL PIVOT PIN | 1 |
| 34 | 12064-G6 | | | | | | PUSH NUT, 9/32" | 1 |
| 35 | 14390-G10 | | | | | | LOCK NUT, #10 - 24 | 1 |
| 36 | 12730-G1 | | | | | | WHEEL BEARING GREASE (NOT ILLUSTRATED) | A/R |
| 37 | | | | | | | | |
| 38 | 72201-G02 | | | | | | WIRE HARNESS (PEDAL BOX) | 1 |
| 39 | 17313-G1 | | | | | | LOOM FLEX (BULK) | AR |
| 40 | 17618-G1 | | | | | | WIRE TIE | 2 |
| 41 | 72065-G02 | | | | | | ACCELERATOR CABLE (ST 350) | 1 |
| 42 | 00559-G8 | | | | | | WASHER, 5/16" | 1 |
| 43 | 25799-G01 | | | | | | ACCELERATOR PEDAL ASSEMBLY (INCLUDES ITEMS 44 - 47) | 1 |
| 44 | 27844-G01 | | | | | | ACCELERATOR PEDAL PAD KIT (INCLUDES ITEMS 45 - 46) | 1 |
| 45 | 15766-G1 | | | | | | OVAL RIVET, 3/16" X 7/16" LG | 6 |
| 46 | 27512-G01 | | | | | | ACCELERATOR PEDAL PAD | 1 |
| 47 | * | | | | | | ACCELERATOR PEDAL | |
| 48 | 00715-G2 | | | | | | BOLT, 5/16 - 18 X 4/5" LG | 4 |
| 49 | 70135-G01 | | | | | | PEDAL PIVOT COVER | 1 |
| 50 | | | | | | | | |
| 51 | 72401-G02 | | | | | | CHOKE CABLE (WITH NUTS) (ST 350) | 1 |
| 52 | 00568-G4 | | | | | | LOCK WASHER, 9/16" | 1 |
| 53 | 00545-G4 | | | | | | JAM NUT, 9/16 - 18 | 1 |
| 54 | | | | | | | | |
| 55 | 72155-G01 | | | | | | RETAINER | 1 |
| 56 | 72154-G01 | | | | | | CHOKE CABLE ADAPTER | 1 |
| 57 | | | | | | | | |
| 58 | 00544-G4 | | | | | | JAM NUT, 5/16 - 24 | 2 |
| 59 | 25737-G01 | | | | | | CARBURETOR LINKAGE ROD (INCLUDES ITEMS 60 - 62) | 1 |
| 60 | 23722-G1 | | | | | | ADJUSTING ROD (SHORT) | 1 |