

FIGURE 2-4. MUFFLER ASSEMBLY. SEE LIST 2-4.

FIGURE- ITEM NUMBER	PART NUMBER	UNITS PER ASM	DESCRIPTION			
			1	2	3	4
4 -	NO #	REF	MUFFLER ASSEMBLY FOR ILLUSTRATION, SEE FIGURE 2-4			
- 1	1010934	2	BOLT, 5/16-18 HEX			
- 2	1013661	1	MUFFLER			
- 3	1012510	2	EXHAUST GASKET			
- 4	7174	2	LOCKWASHER, 5/16			
- 5	1242	2	NUT, 5/16-18 HEX			
- 6	1012462	1	BOLT, 1/4-20 HEX			
- 7	332	2	FLATWASHER, 1/4			
- 8	1012314	1	EXHAUST HEADER			
- 9	1012528	2	NUT, 8MM HEX			
- 10	1014562	1	MUFFLER CLAMP			
- 11	1012460	1	MUFFLER MOUNTING BAR			
- 12	1010177	2	BOLT, 3/8-16 X 2" HEX			
- 13	1012290	4	BUSHING, RUBBER			
- 14	1012291	2	BUSHING, STEEL			
- 15	808	2	FLATWASHER, 3/8"			
- 16	8754	2	NUT, NYLON LOCK 3/8-16			
- 17	1108	1	DIMPLED LOCKNUT, 1/4-20			
- 18	1013734	2	LOCKWASHER, 8MM			

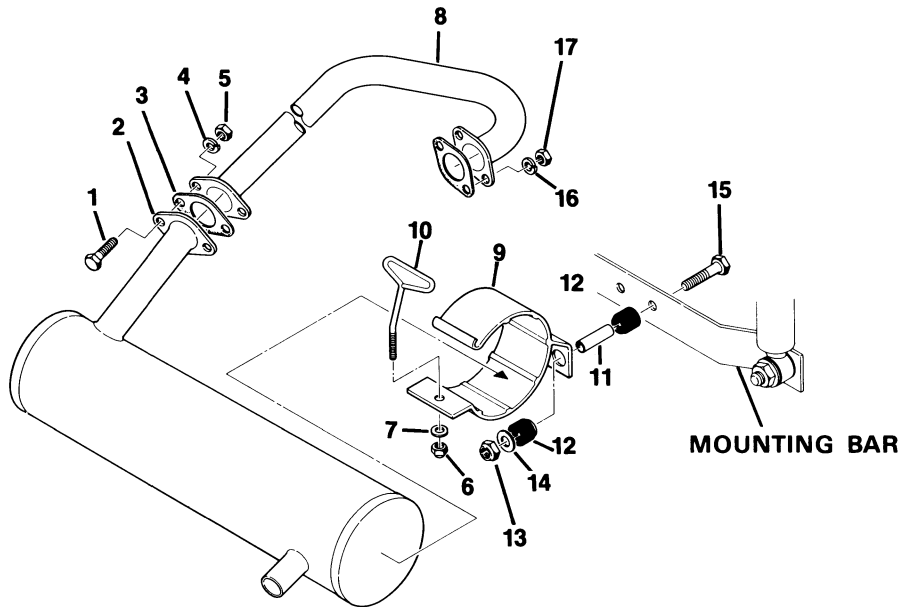


FIGURE 2-4A. MUFFLER ASSEMBLY. SEE LIST 2-4A.

FIGURE-ITEM NUMBER	PART NUMBER	UNITS PER ASM	DESCRIPTION			
			1	2	3	4
4A -	NO #	1	MUFFLER ASSEMBLY FOR ILLUSTRATION, SEE FIGURE 2-4A			
- 1	1010934	2	BOLT, 5/16-18 HEX			
- 2	1013661	1	MUFFLER			
- 3	1012510	2	EXHAUST GASKET			
- 4	7174	2	LOCKWASHER, 5/16			
- 5	1242	2	NUT, 5/16-18 HEX			
- 6	8233	1	1/4-20 NYLON LOCK NUT			
- 7	332	1	FLATWASHER, 1/4			
- 8	1012314	1	EXHAUST HEADER			
- 9	1014744	1	CLAMP, MUFFLER			
- 10	1014743	1	"T" BOLT			
- 11	1012291	2	BUSHING, STEEL			
- 12	1012290	2	BUSHING, RUBBER			
- 13	8754	2	NUT, NYLON LOCK 3/8-16			
- 14	808	2	3/8" TYPE "B" FLATWASHER			
- 15	1010177	2	3/8-16 X 2 HEX BOLT			
- 16	1013734	2	LOCKWASHER, 8MM			
- 17	1012528	2	NUT, 8MM HEX			

