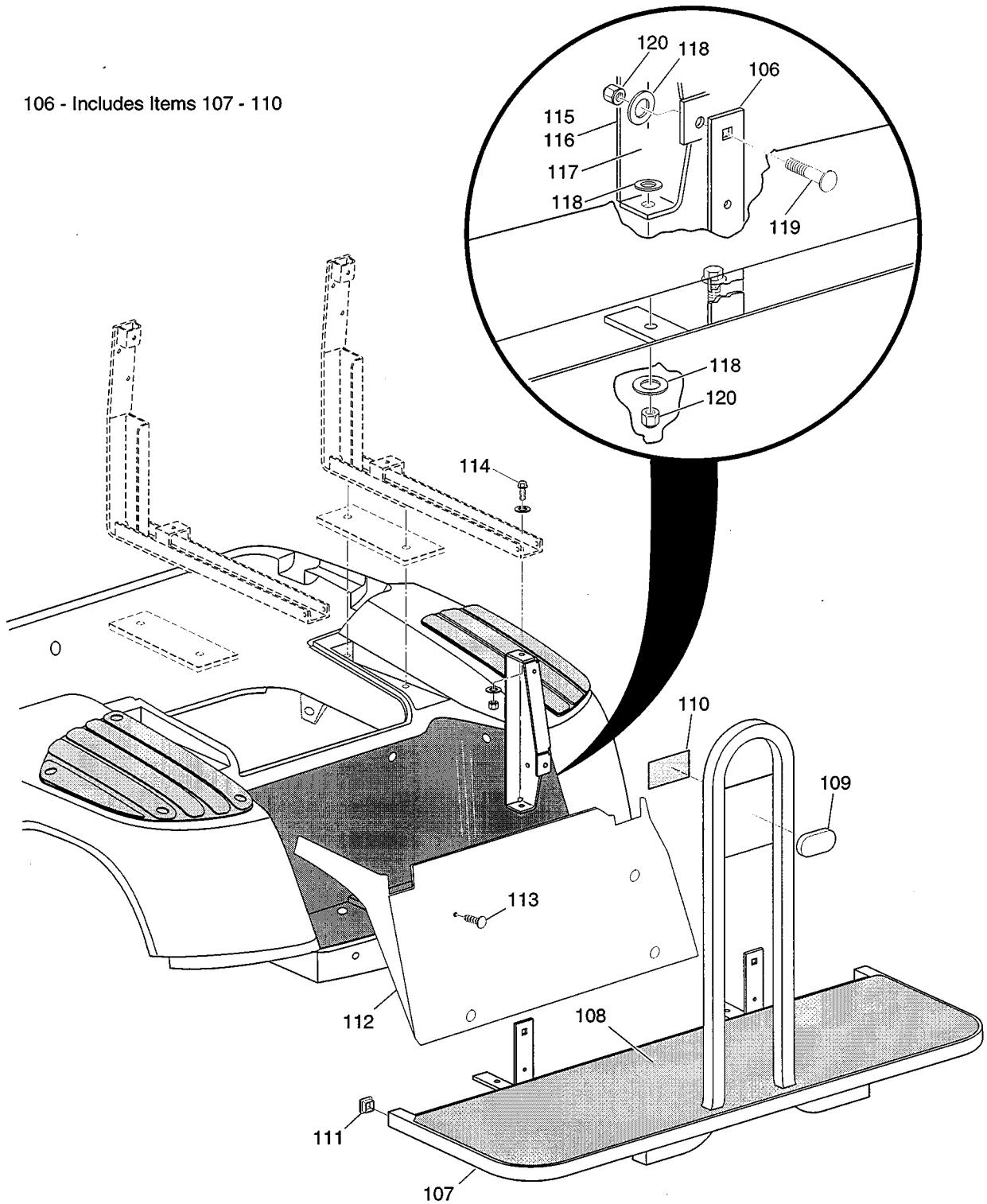


Items 106 - 120 are for use on 4 Caddy models only

106 - Includes Items 107 - 110



THE USE OF NON UL PARTS WILL VOID ANY UL LISTING.

When ordering parts, please specify the model and serial number of the product.

* Indicates a component that is not available as an individual part.

G** Indicates consult Customer Service Department for additional information.

ITEM	PART NO.	1 2 3 4 5	DESCRIPTION	QTY.
1	71151-G01		INSTRUMENT PANEL ASSEMBLY (INCLUDES ITEMS 2 - 5).....	1
2	71153-G01		BALL DEFLECTOR (PASSENGER SIDE)	1
3	71154-G01		BALL DEFLECTOR (DRIVER SIDE).....	1
4	00614-G5		SCREW, #8 - 18 X 5/8" LG.....	6
5	71158-G01		INSTRUMENT PANEL INSERT (4 CUP HOLDER).....	1
6				
7	27647-G01		LABEL (SAFETY).....	1
8	*		SERIAL NUMBER PLATE.....	1
9	*		EC PLATE	1
10				
11	71051-G**		COWL.....	1
12	71055-G01		RIVET, 3/16" X 3/8" LG.	7
13	00740-G4		SCREW, #10-32 X 1/2" LG.	4
14	00921-G8		NUT, #10 - 32	4
15	14601-G13		RIVET, 5/32" X 9/16" LG.	2
16	19817-G2		E-Z-GO NAMEPLATE	1
17	12064-G3		PUSHNUT, 3/16"	2
18	10570-G11		RIVET, 3/16" X 3/4" LG.	2
19	71056-G01		BOLT, 5/16 - 18 X 5/8" LG.....	4
20	00570-G2		WASHER, 5/16"	4
21	00438-G6		BOLT, 5/16 - 18 X 3/4" LG. (WITH TOP)	2
22	00571-G2		WASHER, 5/16" (WITH TOP).....	2
23	71115-G01		VINYL TRIM	2
24				
25	71143-G01		SPLASH PANEL ASSEMBLY (INCLUDES ITEMS 26 - 29).....	1
26	*		PANEL	1
27	*		STAY BRACKET	2
28	*		PANEL BRACKET	1
29	*		RIVET, 5/32" X 9/16" LG.....	9
30				

THE USE OF NON UL PARTS WILL VOID ANY UL LISTING.

When ordering parts, please specify the model and serial number of the product.

* Indicates a component that is not available as an individual part.

G** Indicates consult Customer Service Department for additional information.

ITEM	PART NO.	1 2 3 4 5	DESCRIPTION	QTY.
31	70047-G01		UPPER FLOORPAN	1
32	14601-G11		RIVET, 5/32" X 9/16" LG.	10
33	16816-G2		RATCHET FASTENER.....	1
34				
35	27166-G02		FRONT SHIELD.....	1
36	71015-G01		FRONT SHIELD BRACE.....	2
37	16816-G2		FASTENER	2
38	00114-G6		SCREW, 1/4 - 14 X 3/4" LG.	4
39	16469-G7		WASHER, 1/4"	2
40				
41	70048-G01		FLOORMAT.....	1
42	70451-G01		LOWER FLOORPAN.....	1
43	14601-G13		RIVET, 5/32" X 9/16" LG	10
44	70452-G01		SWITCH ACCESS COVER.....	1
45	14601-G11		RIVET, 3/16" X 9/16" LG.	6
46				
47	71501-G01		ROCKER PANEL (PASSENGER SIDE).....	1
48	71502-G01		ROCKER PANEL (DRIVER SIDE)	1
49	71507-G01		SILL PLATE (PASSENGER SIDE).....	1
50	71507-G02		SILL PLATE (DRIVER SIDE)	1
51	16705-G1		SCREW, 1/4 - 20 X 1" LG. (STAINLESS STEEL)	4
52	23726-G4		SPACER.....	4
53	00891-G2		LOCK NUT, 1/4 - 20	4
54	23726-G6		SPACER.....	1
55	15058-G4		RIVET.....	2
56	23726-G7		SPACER.....	1
57				
58				
59	70318-G02		SEAT FRAME.....	1
60	70046-G01		BATTERY RACK	1

THE USE OF NON UL PARTS WILL VOID ANY UL LISTING.

When ordering parts, please specify the model and serial number of the product.

* Indicates a component that is not available as an individual part.

G** Indicates consult Customer Service Department for additional information.

ITEM	PART NO.	1 2 3 4 5	DESCRIPTION	QTY.
61	00715-G2		BOLT, 5/16 - 18 X 13/16" LG.....	5
62	00438-G6		BOLT, 5/16 - 18 X 3/4" LG.....	2
63	00559-G8		WASHER, 5/16"	2
64	11098-G6		LOCK NUT, 5/16 - 18	2
65	70200-G01		TORX SCREW, 3/8-16.....	2
66				
67	71301-G**		REAR BODY (WITHOUT TAILLIGHTS)	1
68	71310-G**		REAR BODY (WITH TAILLIGHTS).....	1
69	75126-G01		FENDER SCUFFGUARD (DRIVER SIDE)	1
70	75126-G02		FENDER SCUFFGUARD (PASSENGER SIDE).....	1
71	16816-G2		RATCHET FASTENER.....	8
72	71320-G01		ACCESS PANEL	1
73	71002-G01		SCREW, #8 X 5/8" LG.....	5
74	71364-G02		"J" CLIP	1
75				
76				
77				
78	16816-G1		RATCHET FASTENER.....	26
79	71318-G01		BAGWELL LINER	1
80	18436-G1		RIVET, 1/4" X 3/4" LG.	2
81	10570-G10		RIVET, 5/32".....	6
82	71456-G01		NOTCHED REAR BUMPER (4 CADDY).....	1
83	71451-G01		REAR BUMPER.....	1
84	71455-G01		BUMPER PLUG	4
85	71398-G01		BOLT, 1/4 - 20 X 1 1/4" LG.....	4
86	00571-G2		WASHER, 5/16"	4
87	16816-G4		RATCHET FASTENER.....	2
88				
89	71609-G01		HINGE PLATE.....	2
90	10570-G11		RIVET, 3/16" X 3/4" LG.	4