



Before You Start:

Please familiarize yourself with all the steps before beginning assembly.

Compatibility Info:

This product is designed to work with other Seizmik branded Accessories. Please note Seizmik cannot guarantee fitment with other branded aftermarket products. Please research installation details thoroughly on our products & others when trying to combine different branded accessories.

Seizmik makes Windshields, Mirrors, Cab Systems, Gun Holders, Light Bars, Hood Racks, and other great accessories for UTV's to maximize the vehicles usefulness.

If you have any questions, comments, need assistance, or are missing parts, please call 1-866-838-3366 between 9:00AM and 5:00PM EST or email us at support@seizmik.com. Visit www.seizmik.com for more information on our products.

**DO NOT INSTALL WIPER WASHER KIT UNLESS YOUR WINDSHIELD IS SCRATCH RESISTANT!
Installing Wiper Washer Kit onto an uncoated polycarbonate windshield will scratch it.**

Wiper Washer System Parts List

A



D

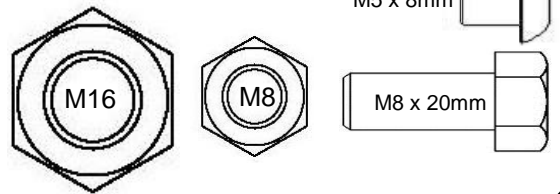


Parts:

- A. 110° Wiper Motor
- B. Wiper Motor Cover
- C. Backing Plate
- D. 14inch Wiper Blade and Arm
- E. Washer Tank
- F. 16 feet 1/4" Diameter Tubing
- G. Plastic Fittings (x3)
- H. Sprayer Nozzle (x4)
- I. Wiring Harness
- J. Wiper Switch
- K. Washer Switch
- L. Rubber Bumpers

Hardware:

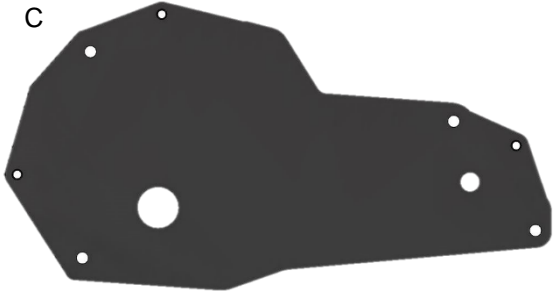
- M5 x 8mm Torx Head Screw (x3)
- M8 x 20mm Flange head bolt (x1)
- M8 Locknut (x1)
- M8 Flanged Locknut (x1)
- M16 Nut (x2)
- M16 Washer (x2)



B



C



E



F



G



H



I



main power harness

motor harness

washer harness

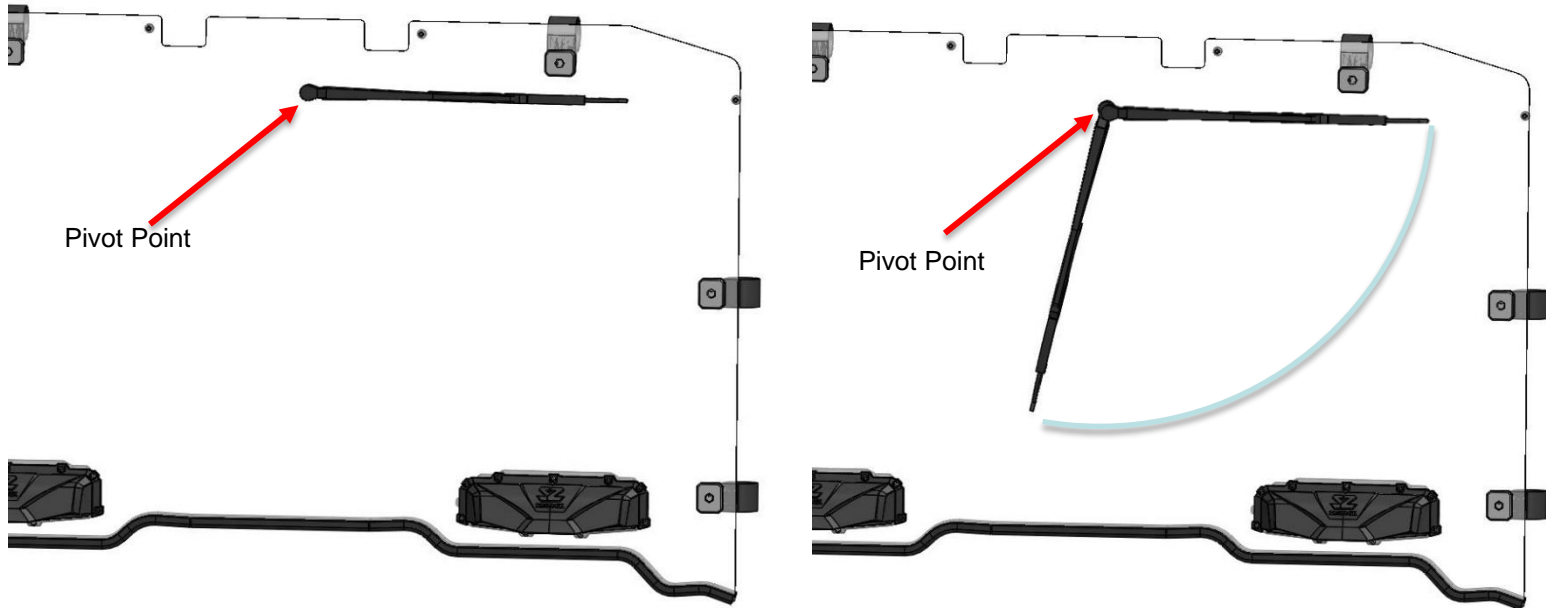
J



K

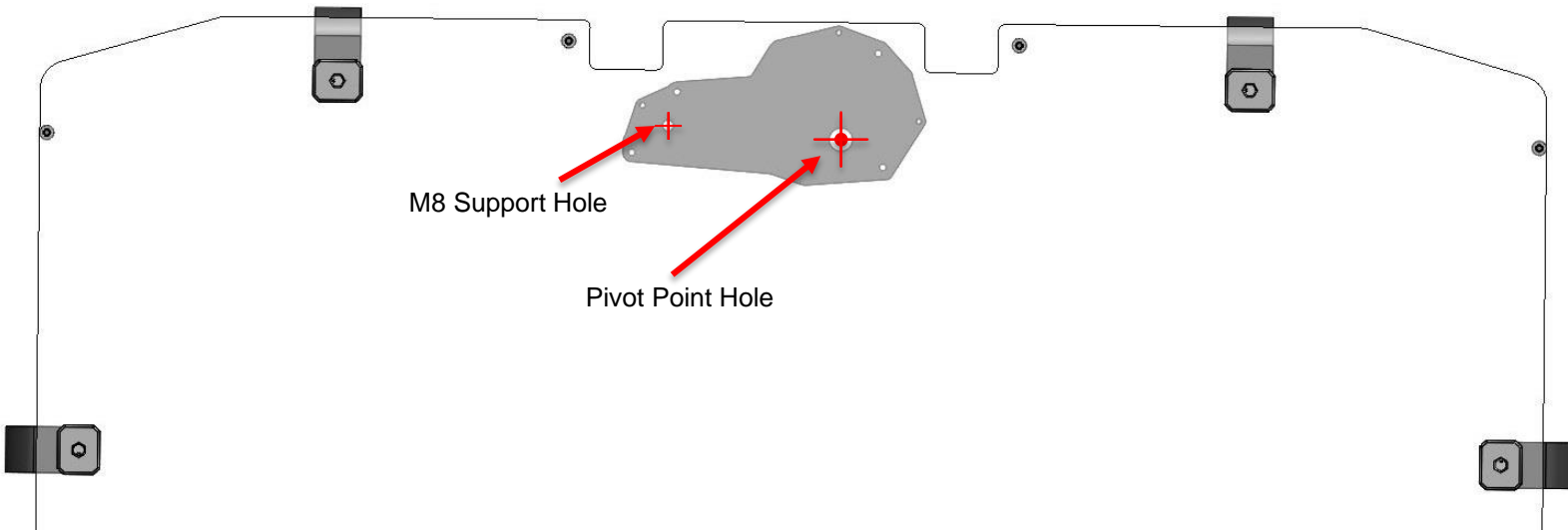


1. Placement of Wiper



DO NOT INSTALL WIPER WASHER KIT UNLESS YOUR WINDSHIELD IS HARD COATED! Installing Wiper Washer Kit onto an uncoated windshield will scratch it.

1. Hold up wiper arm and blade to windshield and position it to provide the best amount of coverage when looking out from the driver seat. (Tip: Use a dry erase marker to mark the pivot point so that if you need to adjust it, you can easily wipe it off.) Mark the pivot location (indicated by the arrow) and ensure the blade will not hit a clamp or vent when going through its 110 degree swing. Once you are happy with the sweep, it is time to drill the mounting holes. It is not necessary, but is recommended to remove the windshield from the vehicle to make installation easier.



2. Place the Wiper Motor Plate (C) over the pivot location mark made in step 1 and place as shown, making sure the Wiper Motor Plate (C) does not exceed the boundary of the windshield. If the Wiper Motor Plate (C) extends off the edge of the windshield, you may run into fitment problems with the ROPS or mounting hardware.

3. Take your time to get the Wiper Motor Plate (C) and Wiper Arm Assembly (D) placed correctly. Once the holes have been drilled, they cannot be un-drilled.

4. Mark the location of the M8 Support Hole once you are satisfied with the location of the Wiper Motor Plate (C) and Wiper Arm Assembly (D).

2. Drilling of Mounting Holes

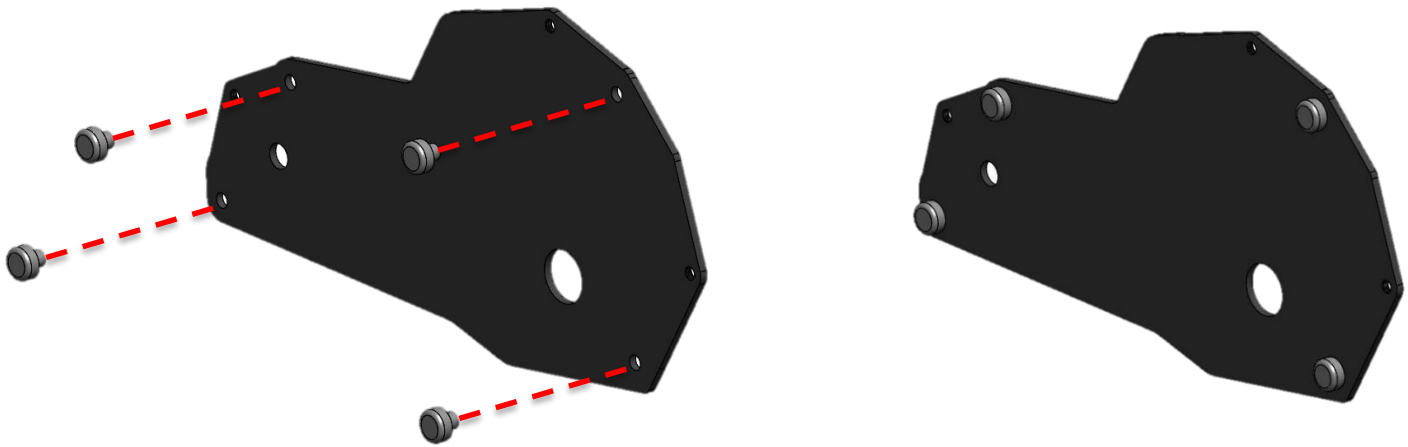


5. Using an 11/32" drill bit, drill the M8 Support hole as shown in the images above. Be sure to drill cautiously as to not crack the windshield.

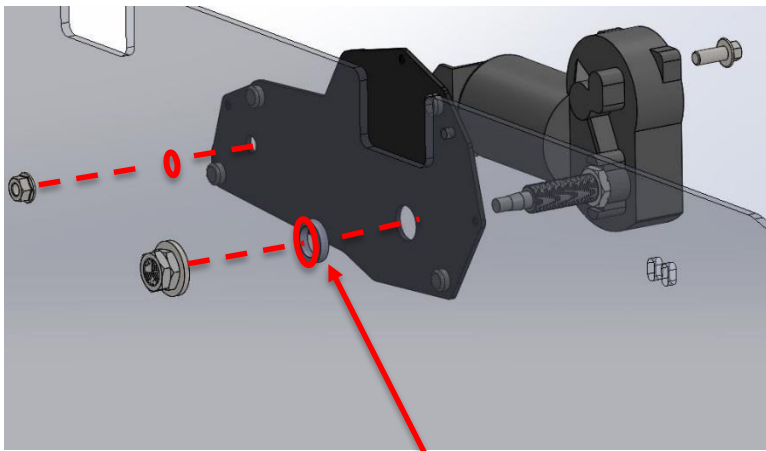


6. Using a step drill bit, drill the Pivot Hole out to an 11/16" hole as shown in the images above. Be sure to drill cautiously as to not crack the windshield. Blow any shavings off of the windshield using compressed air. DO NOT WIPE as this may scratch the windshield depending on your windshield scratch resistance.

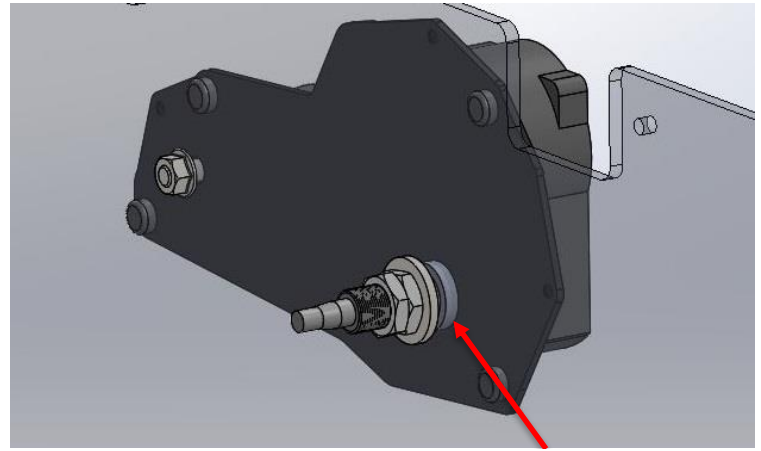
3. Mounting Wiper Motor to Windshield



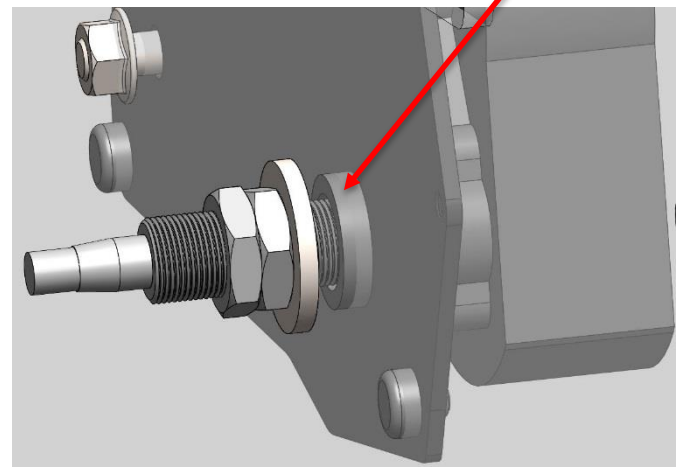
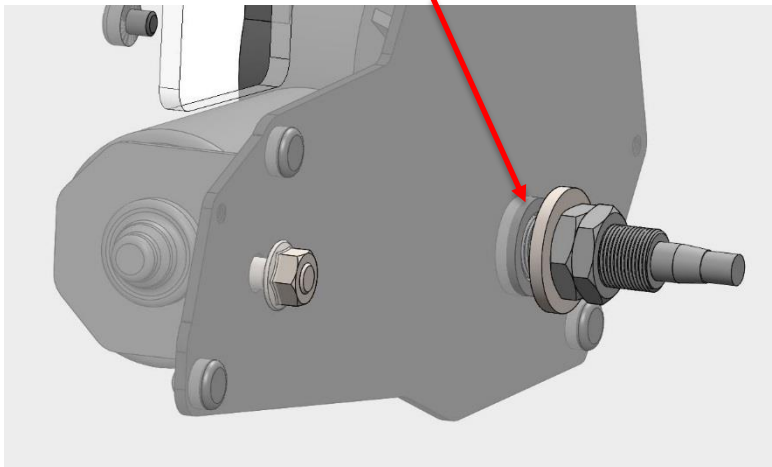
7. Locate the 4 6mm holes and insert rubber bumpers into the backing plate (C) as shown in the images above. These bumpers will isolate the backing plate (C) and wiper assembly from the windshield.



Rubber grommet

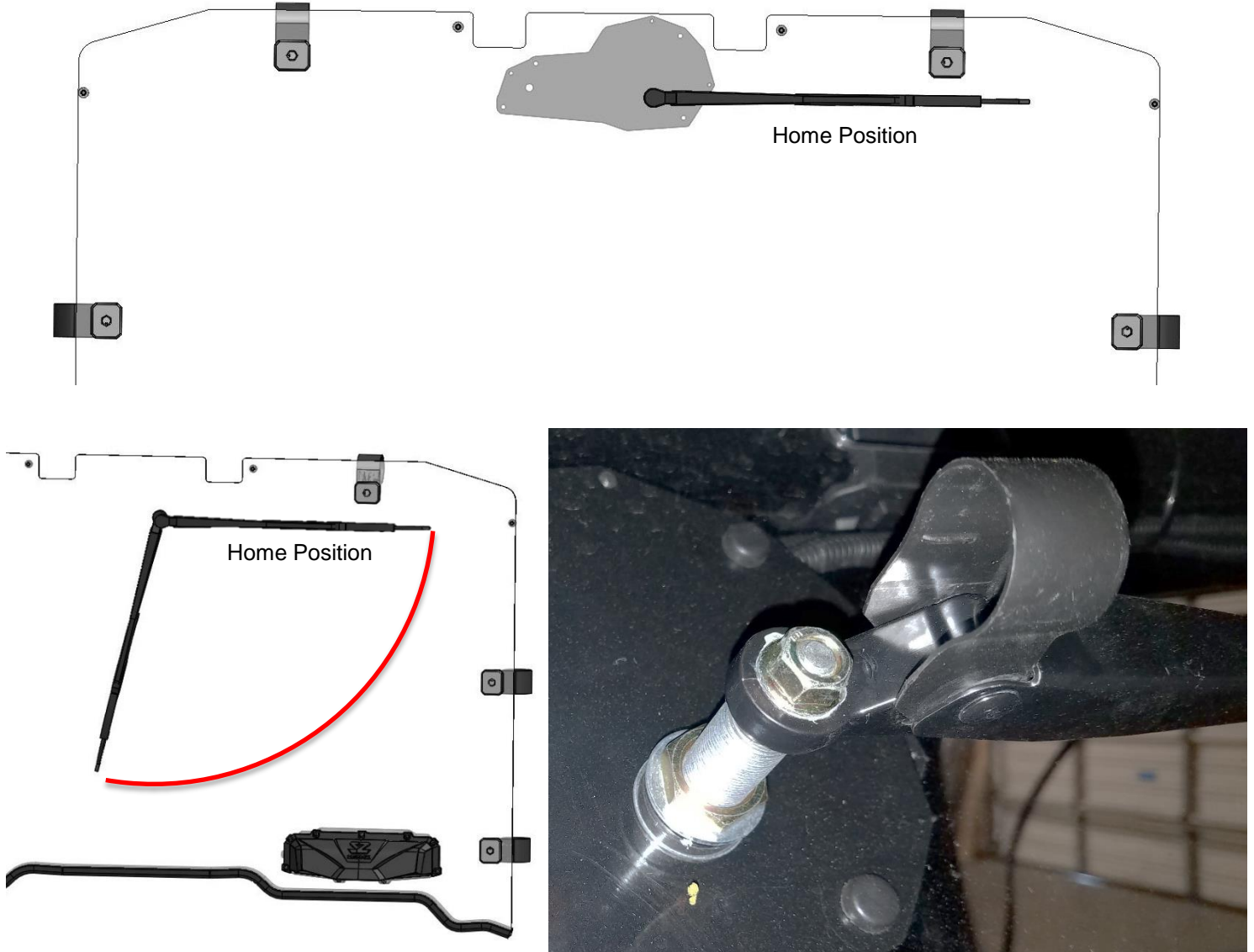


Rubber grommet



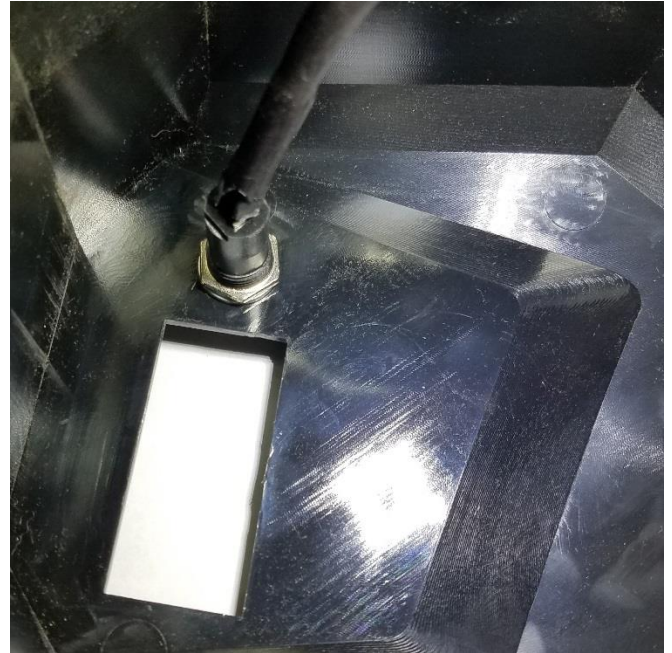
8. The main threaded shaft of the wiper motor goes through the backing plate (C) and through the pivot hole drilled into the windshield in step 6. Make sure the rubber grommet is installed between the windshield and the backing plate (C) as shown above. This will help isolate the backing plate (C) from the windshield along with the 4 rubber bumpers. Install M16 washer and nuts onto the main threaded shaft of the wiper motor to loosely hold the assembly in place. Next, install M8x20mm bolt into second mounting support hole through the second hole in the wiper motor and secure with M8 locking flange nut. Snug down both M8x20mm flange bolt and M16 nuts. Tighten until rubber grommet and bumpers start to compress against the back side of the windshield.

4. Mounting Wiper Arm to Motor



9. Align the wiper arm (D) horizontally when it is in the “home” position as seen in the images above. Place the wiper arm (D) hole over the splined shaft of the wiper motor (A) and install with supplied yellow zinc plated locknut. Tighten until wiper arm (D) is fully seated onto the splines. The end of the threads should be flush with the top of the locknut as shown in the image above.

5. Switch Install

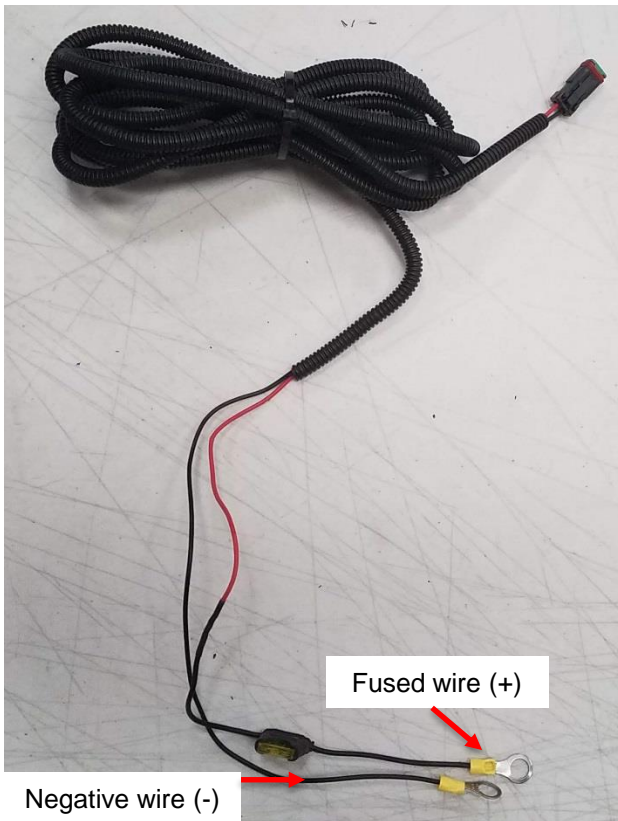


10. Remove nut from the threaded portion of the washer switch (K) and route wire pigtail through the lower hole in the wiper motor cover (B). Flip cover over and reinstall nut to secure the washer switch (K) to the wiper motor cover (B).



11. Install wiper switch (J) into wiper motor cover (B) as shown in the images above.

6. Wiring



12. Attach the main power harness fused terminal (red wire) to the positive side of the battery (or positive 12V source). Attach the non fused terminal (black wire) to the negative side of the battery (or suitable ground). Route the male Deutsch style connector out of the battery compartment to the base of the driver side A pillar ROPS tube with enough slack to meet the female Deutsch connector on the motor harness.

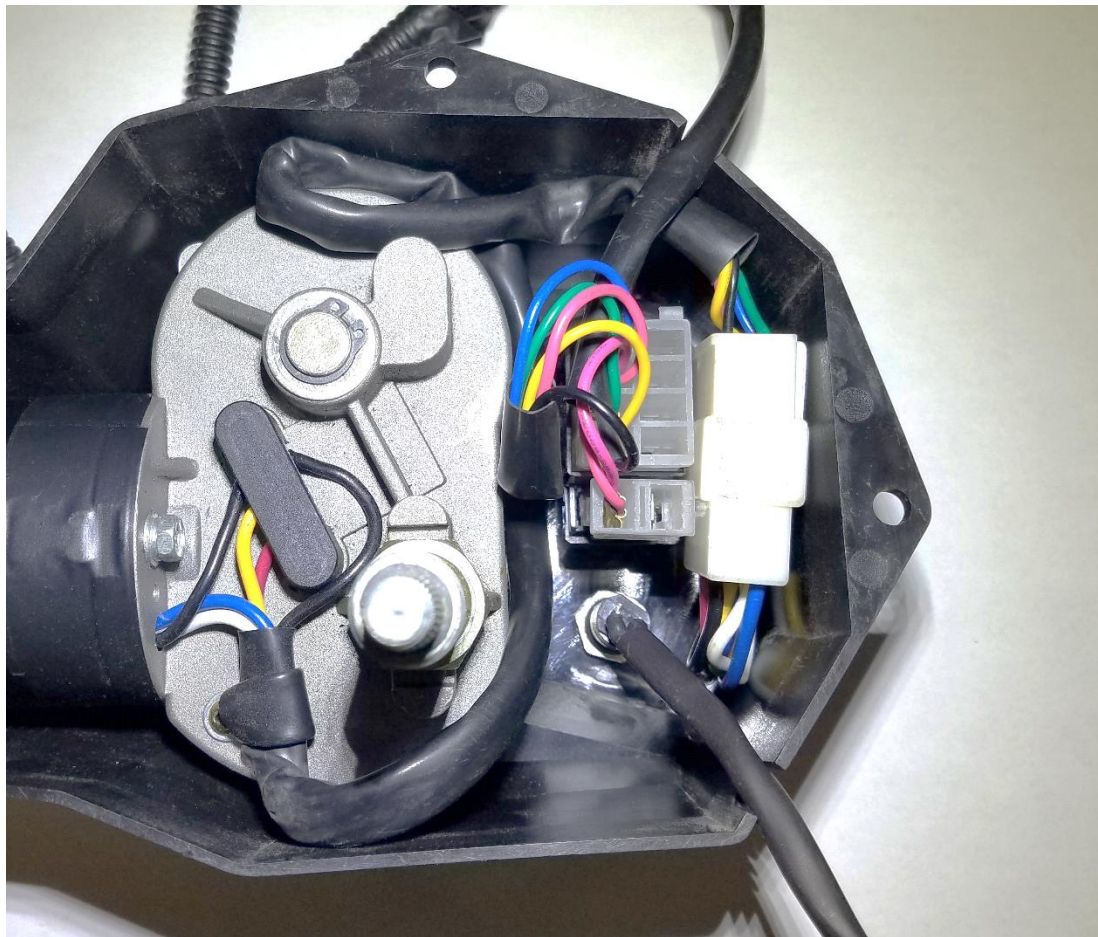


13. Connect the large and small plugs to the back of the wiper switch (J) as shown in the image above.



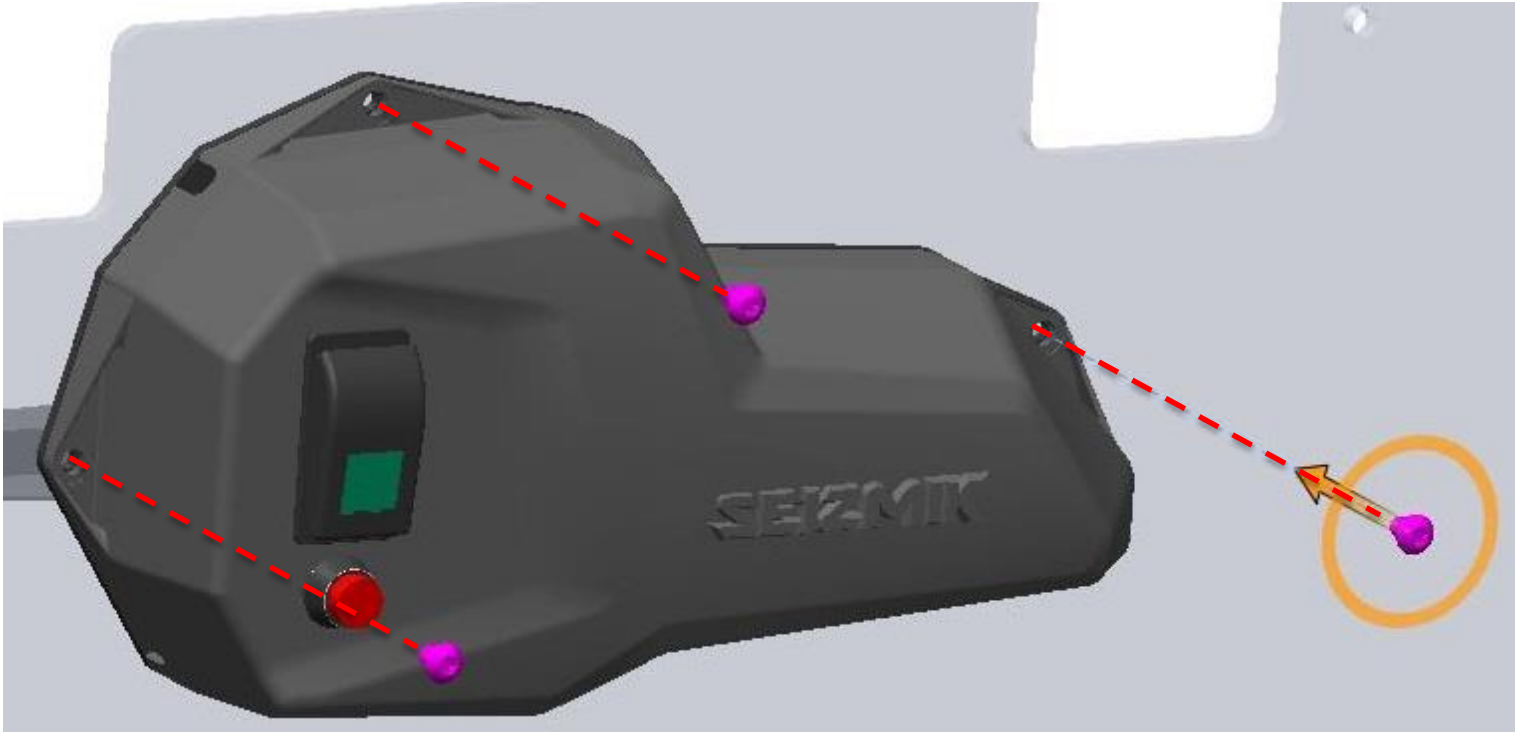
14. (Wiper motor removed for visualization purposes) Now attach the wiper motor plug to the female connector on the wiper motor as shown in the image above.

6. Wiring cont.



15. This is where things get a little tricky. The plugs need to be routed and organized under the wiper motor cover (B) this way in order for the cover to sit flush against the backing plate (C). The wiper motor (A) plug must go beside the wiper motor switch (J) in the orientation shown. This is the BEST way to ensure the cover sits flush against backing plate (C) so take your time to get the routing correct. There are 2 notches in the wiper motor cover (B) that you can run the washer button (K) pigtail and the remaining harness through. You may also run both ends through one notch if you so choose.

6. Wiring cont.

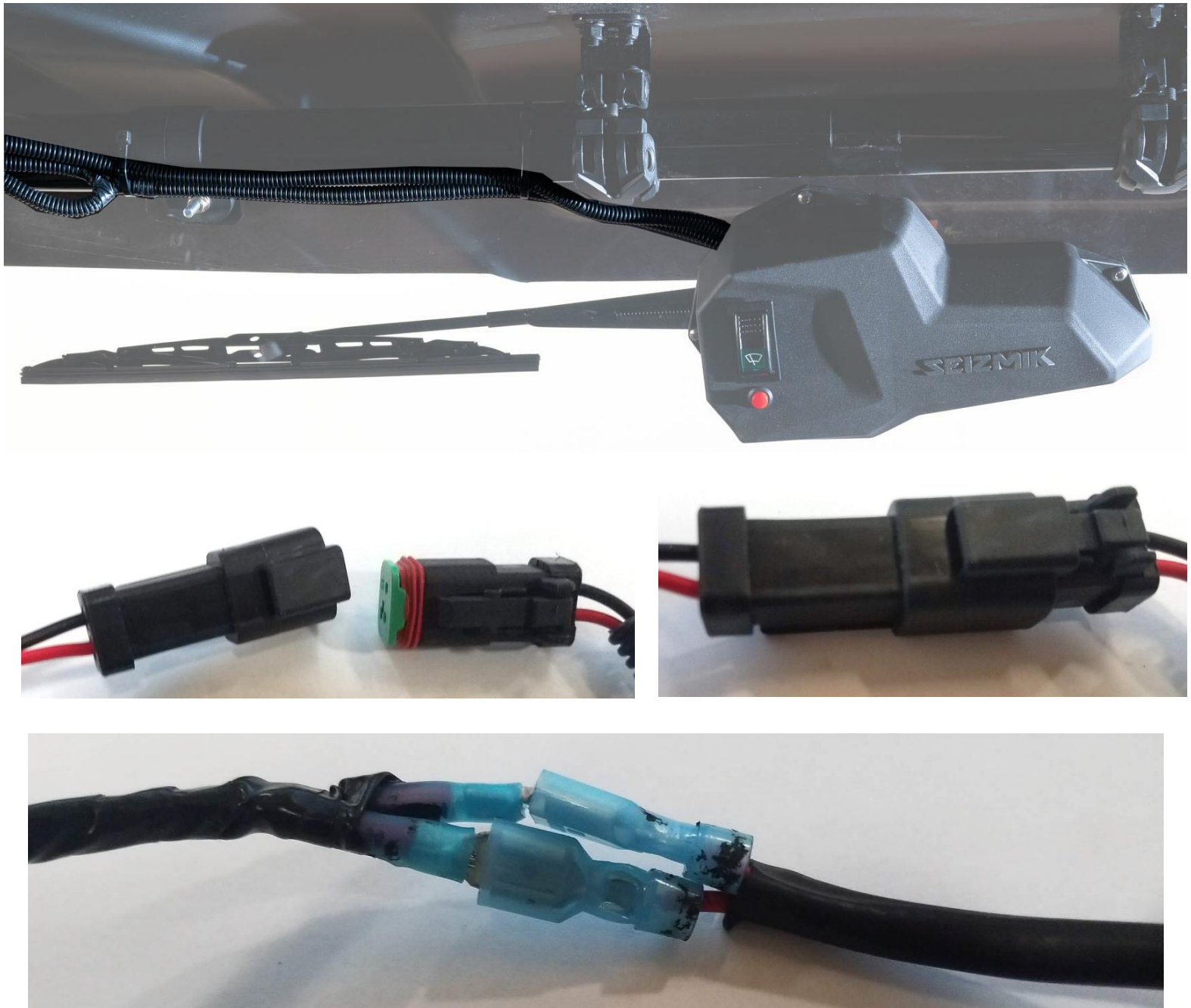


16. With the wires routed under the wiper motor cover (B), use a T20 driver to mount the cover to the backing plate (C) using supplied m5x8mm torx head screws (x3) as shown in the picture above.



17. If you removed your windshield for the install, now is a good time to reinstall the windshield onto your vehicle.

6. Wiring cont.



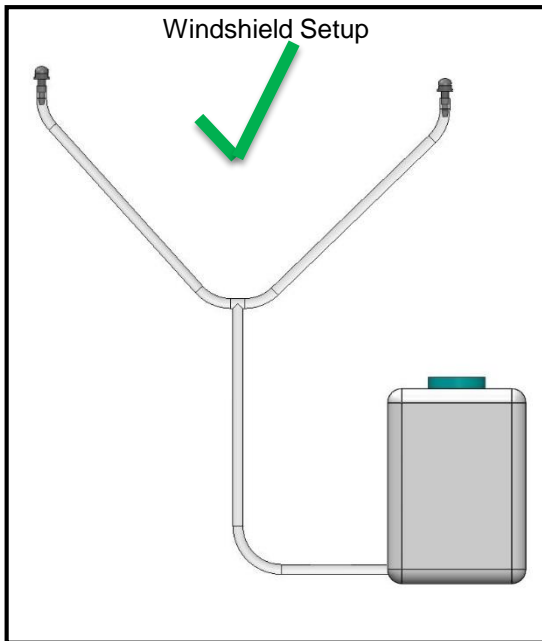
18. Route wires up and out of the way of the windshield (along the ROPS works well) and connect the male Deutsch style connector from the main power harness to the female Deutsch style connector on the motor harness. Next connect the male spade connectors from washer switch (K) to female spade connectors from washer harness. **Note:** Each male spade connector can be connected to either female spade connector.

7. Washer System

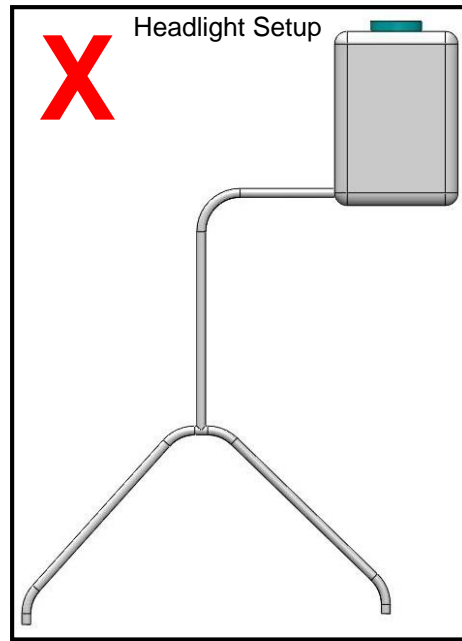


19. The washer system consists of the components above and can be configured to your choosing. There are (x3) sprayer nozzles (H) that can be placed on the dash, base of the windshield, or even in front of your headlights. This instruction manual will go over the basics of the system setup with a few rules to keep in mind when installing the system.

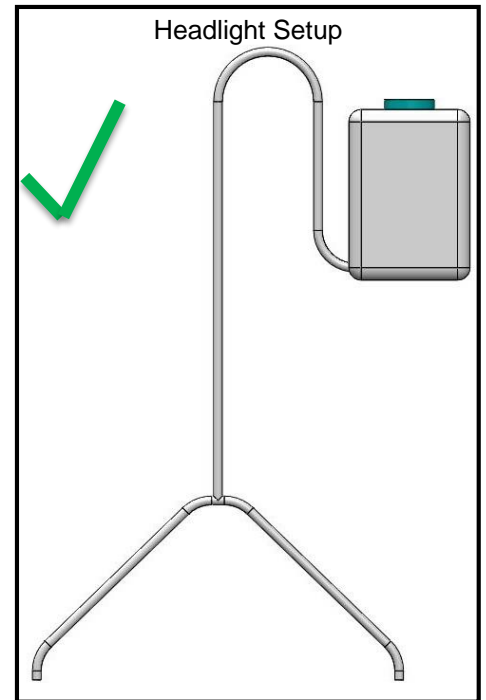
Setup 1



Setup 2



Setup 3

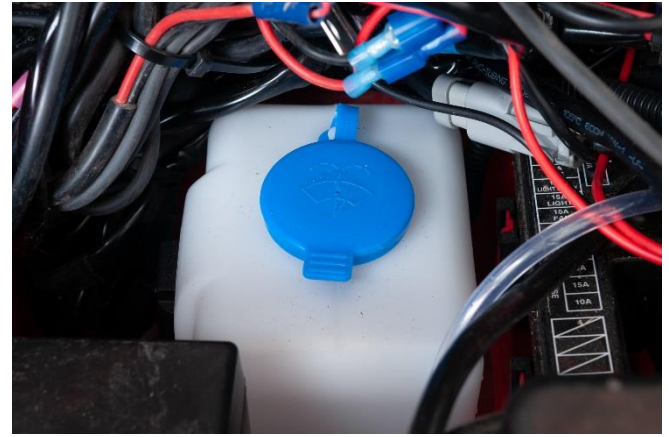
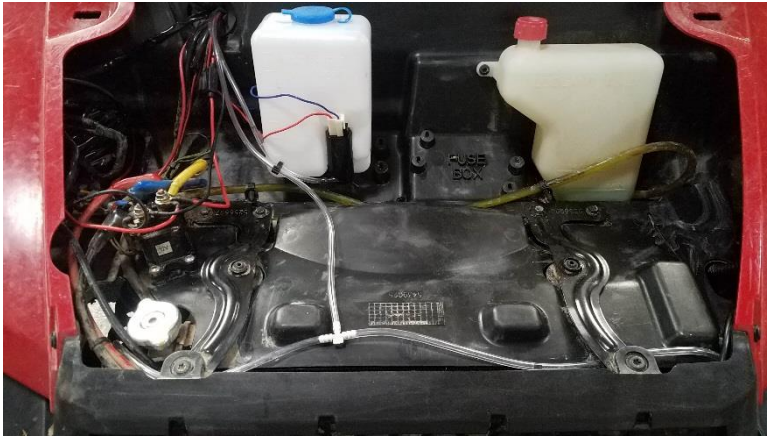


20. First rule when installing the washer kit is making absolutely sure that some portion of the tubing coming out of the pump on the tank, is ABOVE the lid on the washer tank (E). Ideally the washer tank (E) should be the lowest part of the system (See setup 1 above). The diagrams above show proper and improper setups. If there is no portion of the tubing above the lid of the tank, the washer fluid will drain out immediately and completely. For example, if the tank is mounted under the hood and the nozzles were routed to the headlights, the fluid would drain out since both nozzles are mounted below the washer fluid level (See setup 2 above). However if you were to put a loop (or a few coils) above the lid before running the tubing to the nozzles to the headlights, only the remainder of the fluid left in the line would drain out, not the entire tank (See setup 3 above).

RULE: Some or all of the tubing must be above the lid of the tank or the system will drain completely.

7. Washer System cont.

21. Now that you know the basic rules of the system, the washer tank (E) can be mounted. We have found the best place for access of filling and tubing routing is under the hood. Ensure the tank is within distance to the plug located on the washer harness.

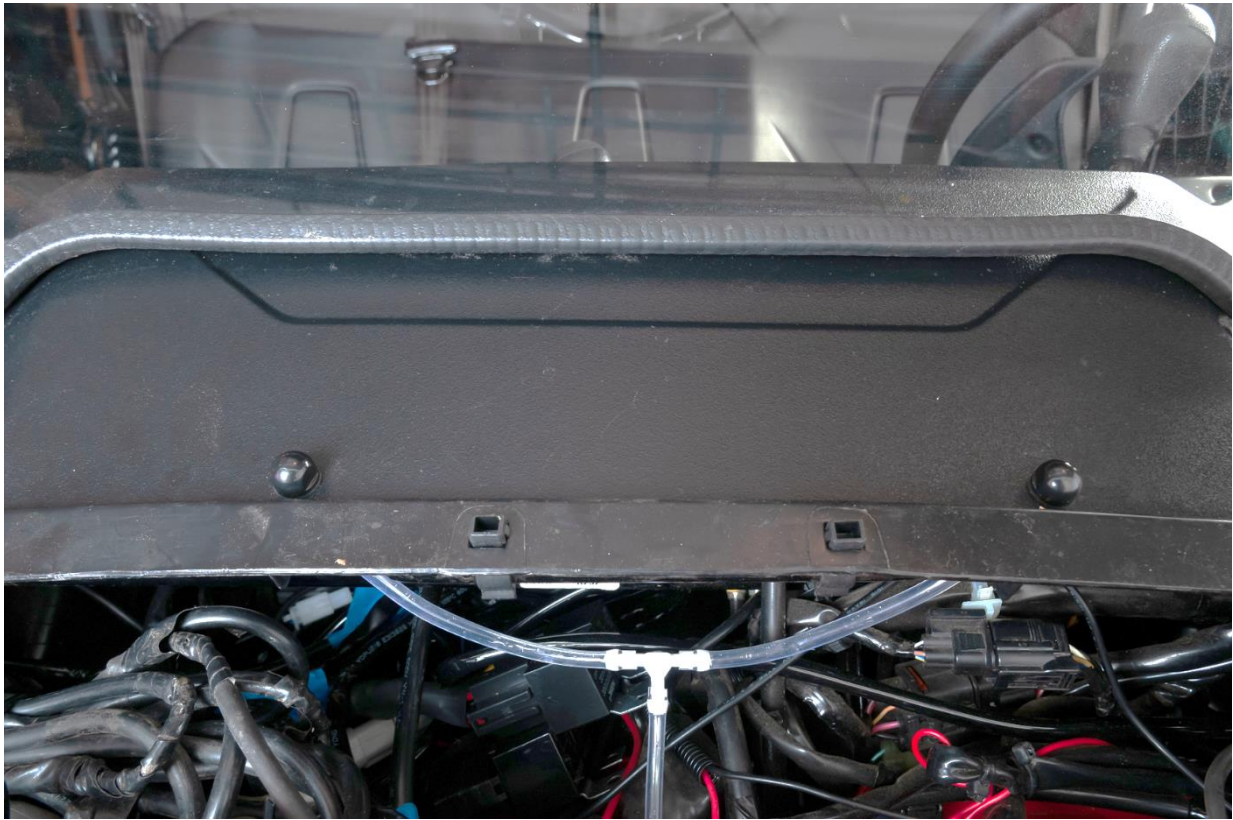


22. Mount washer tank plate using supplied screws to the location of your choosing. The tank easily slides into the plate using the notches on the back of the tank. See images above.



23. Insert plug from washer harness into the pump as shown in the image above.

7. Washer System cont.



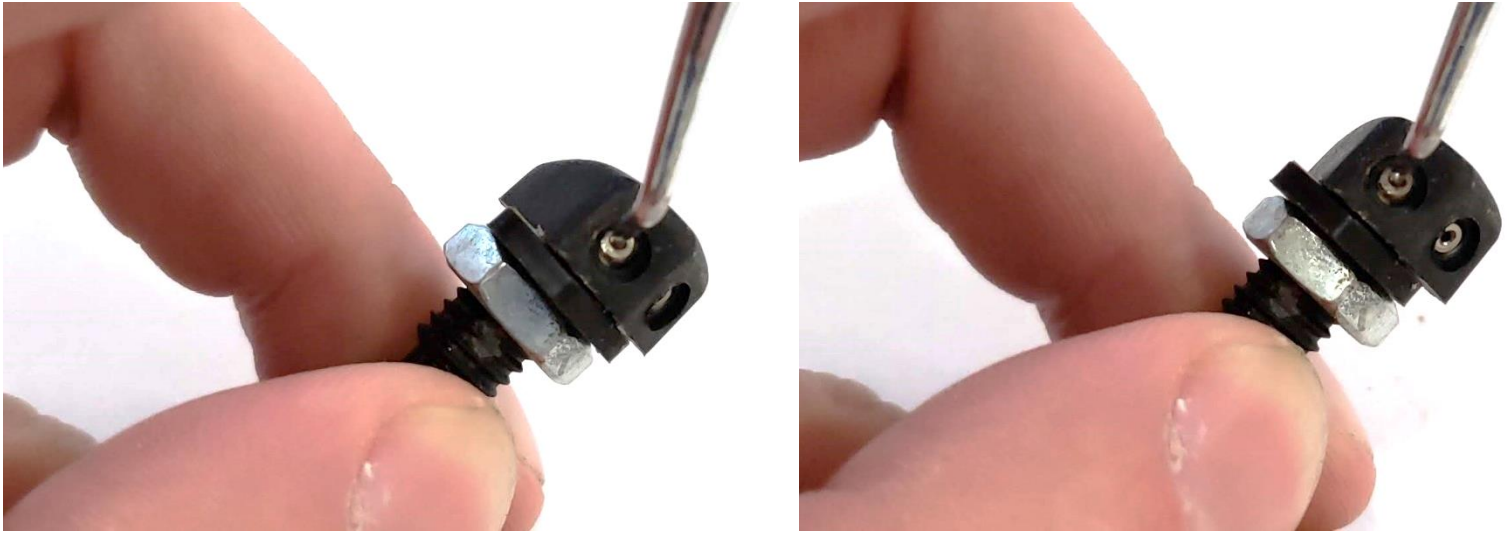
24. Once you have decided where to mount your sprayer nozzles (H) (we recommend the dash section just in front of the windshield), use a 3/8" drill bit to make a hole and secure the nozzle using the nut and washer that came on the nozzle. Make sure the rubber gasket is between the base of the nozzle and the vehicle. This will help prevent unwanted leaks.



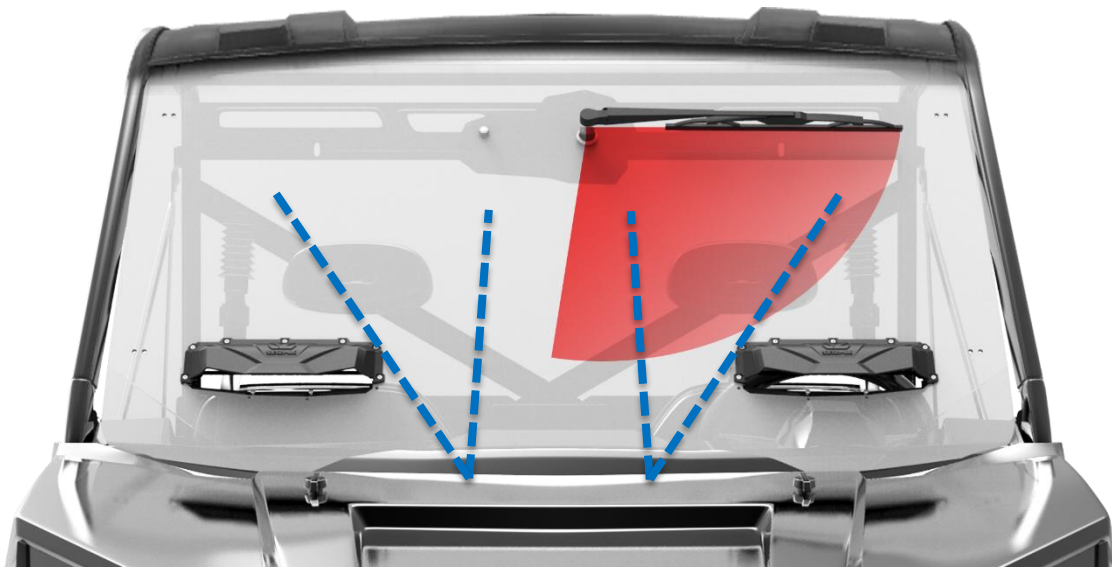
25. Connect tubing to the nipples on the nozzles and pump using supplied plastic fitting depending on the number of nozzles installed. The tubing can be cut easily to make routing more simple. The less tubing used, the faster the washer fluid will flow through the system.

7. Washer System cont.

26. Fill the washer tank (E) with about 2 cups of water and check for leaks. Next push the red washer switch (K) on the wiper motor cover (B) for about 2 seconds and observe the spray pattern of the nozzles.



27. The spray pattern can be adjusted using a pick or other small tool. Insert pick into the nozzle as shown and point the jet in the desired direction. Be patient, this step takes a lot of trial and error to get right. Ideally the spray should hit in the middle of the sweep of the wiper.



28. For a 2 nozzle setup, the image above shows a good spray pattern. One nozzle is used to spray the wiper arm sweep area, and the other nozzle is used to spray the passenger side of the windshield.

8. Function and Operation

29. The wiper switch (J) has 3 positions: Home, Low Speed, High Speed. The “home” position will always bring the wiper back to the original installed position.



30. The washer switch (K) is a momentary switch, meaning the longer the switch is pressed, the longer the washer system will spray. Release the button and the system will stop spraying.



31. The wiper blade and arm are automotive style meaning, any 14 inch replacement blade can be purchase from your local autoparts store if necessary.