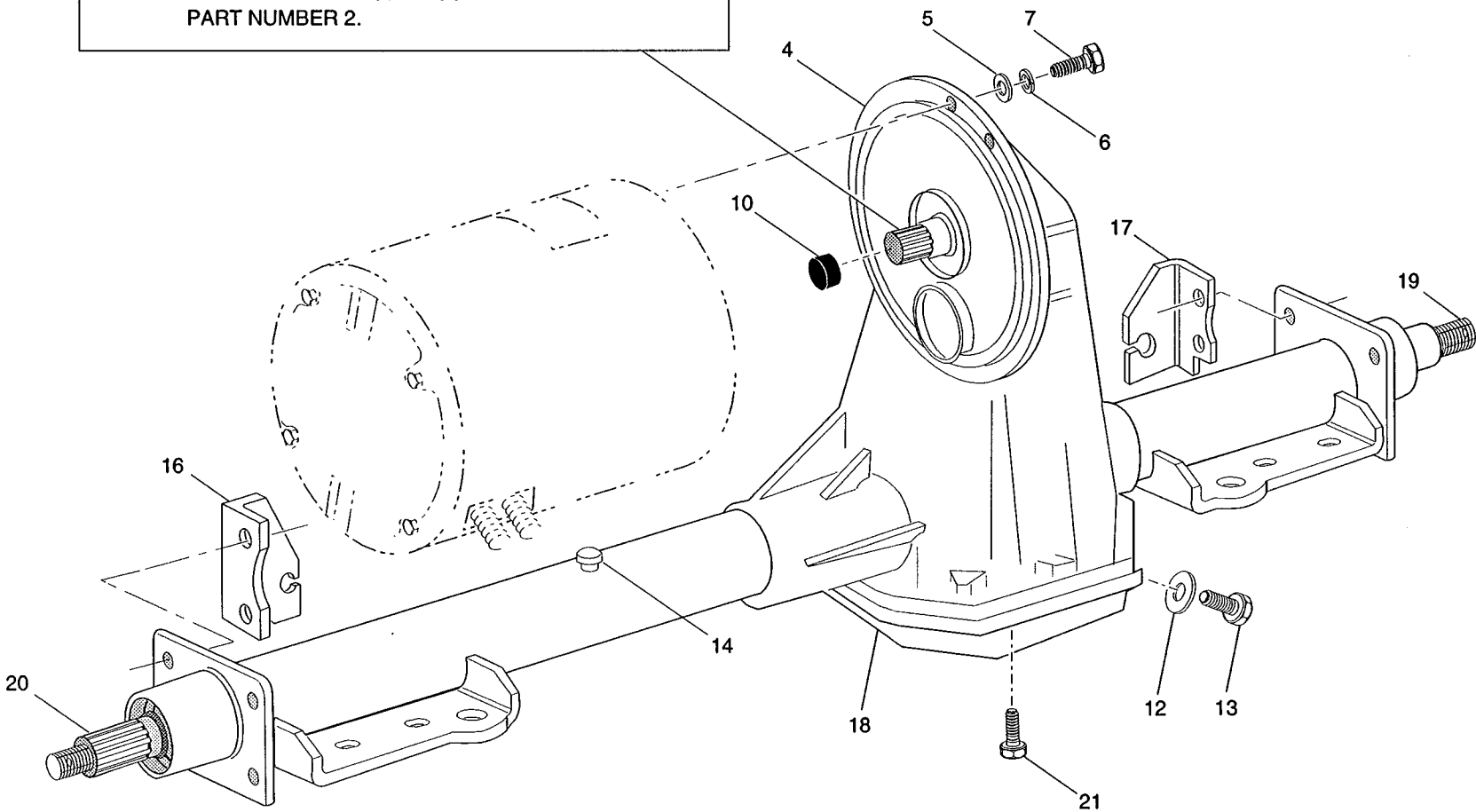


9 - INCLUDES ITEMS 10 - 21

NOTE: APPLY A LIGHT COAT OF MOLY GREASE TO MALE SPLINE BEFORE ASSEMBLY. REFERENCE PART NUMBER 2.



THE USE OF NON UL PARTS WILL VOID ANY UL LISTING.

When ordering parts, please specify the model and serial number of the product.

* Indicates a component that is not available as an individual part.

G** Indicates consult Customer Service Department for additional information.

ITEM	PART NO.	1 2 3 4 5	DESCRIPTION	QTY.
1				
2	28095-G01		MOLY LUBE, 2 OZ.....	AR
3				
4				
5	00559-G7		WASHER, 1/4.....	3
6	00565-G7		WASHER, LOCK, 1/4.....	3
7	00797-G2		BOLT, 1/4 - 20 X 1 1/4 LG.....	3
8				
9	73069-G01		REAR AXLE ASSEMBLY (INCLUDES ITEMS 10 - 21).....	1
10	24261-G1		BUMPER SPLINE.....	1
11				
12	25227-G1		WASHER.....	1
13	25226-G1		PLUG, FILL/CHECK.....	1
14	73050-G01		VENT ASSEMBLY (PUSH IN).....	1
15				
16	72036-G01		BRACKET, BRAKE CABLE, PASSENGER SIDE.....	1
17	72036-G02		BRACKET, BRAKE CABLE, DRIVER'S SIDE.....	1
18	25228-G1		COVER, DIFFERENTIAL.....	1
19	20377-G12		AXLE SHAFT, PASSENGER SIDE.....	1
20	20377-G11		AXLE SHAFT, DRIVER'S SIDE.....	1
21	15558-G1		SCREW, 5/16 - 18 X 3/4 LG.....	10