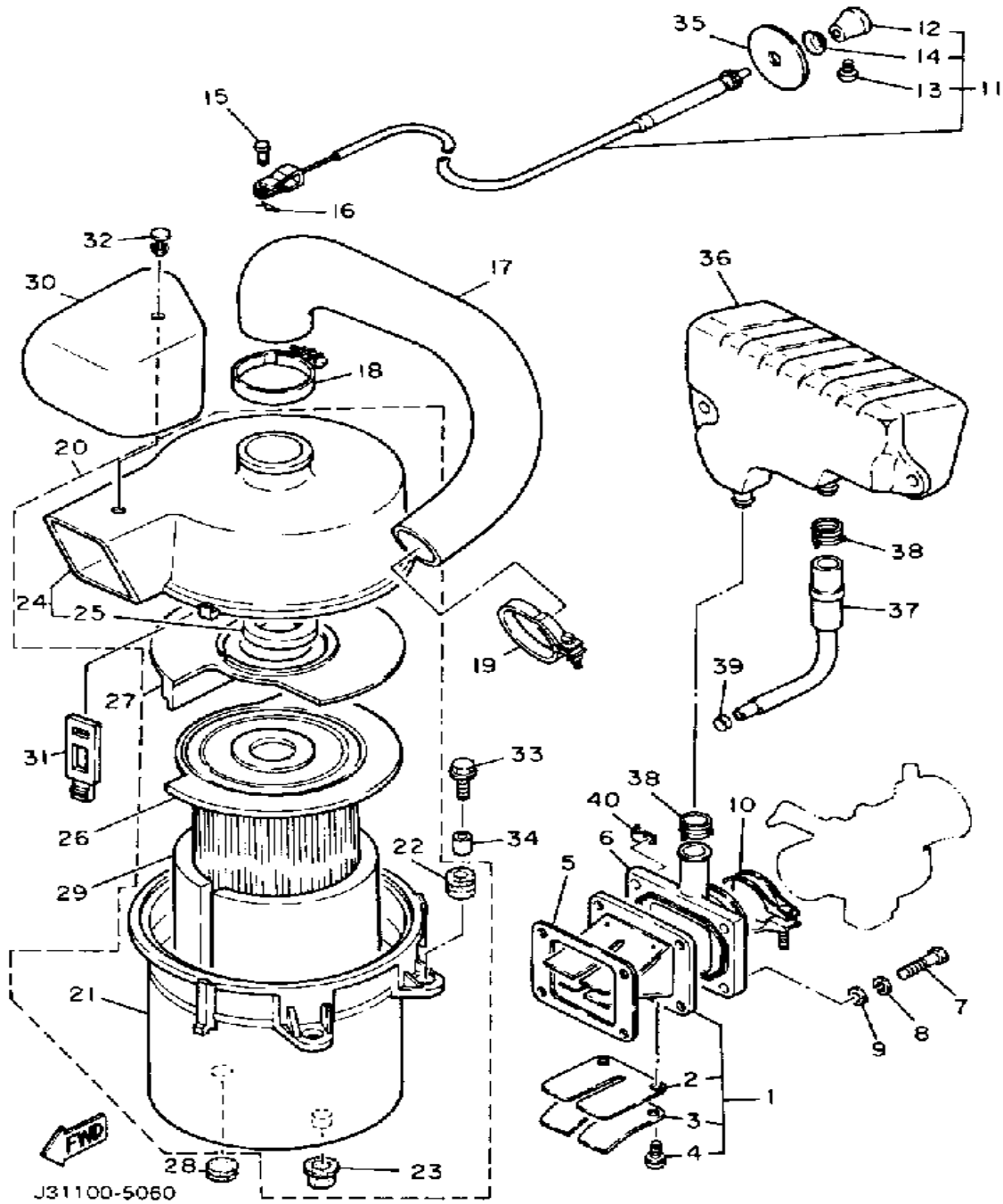


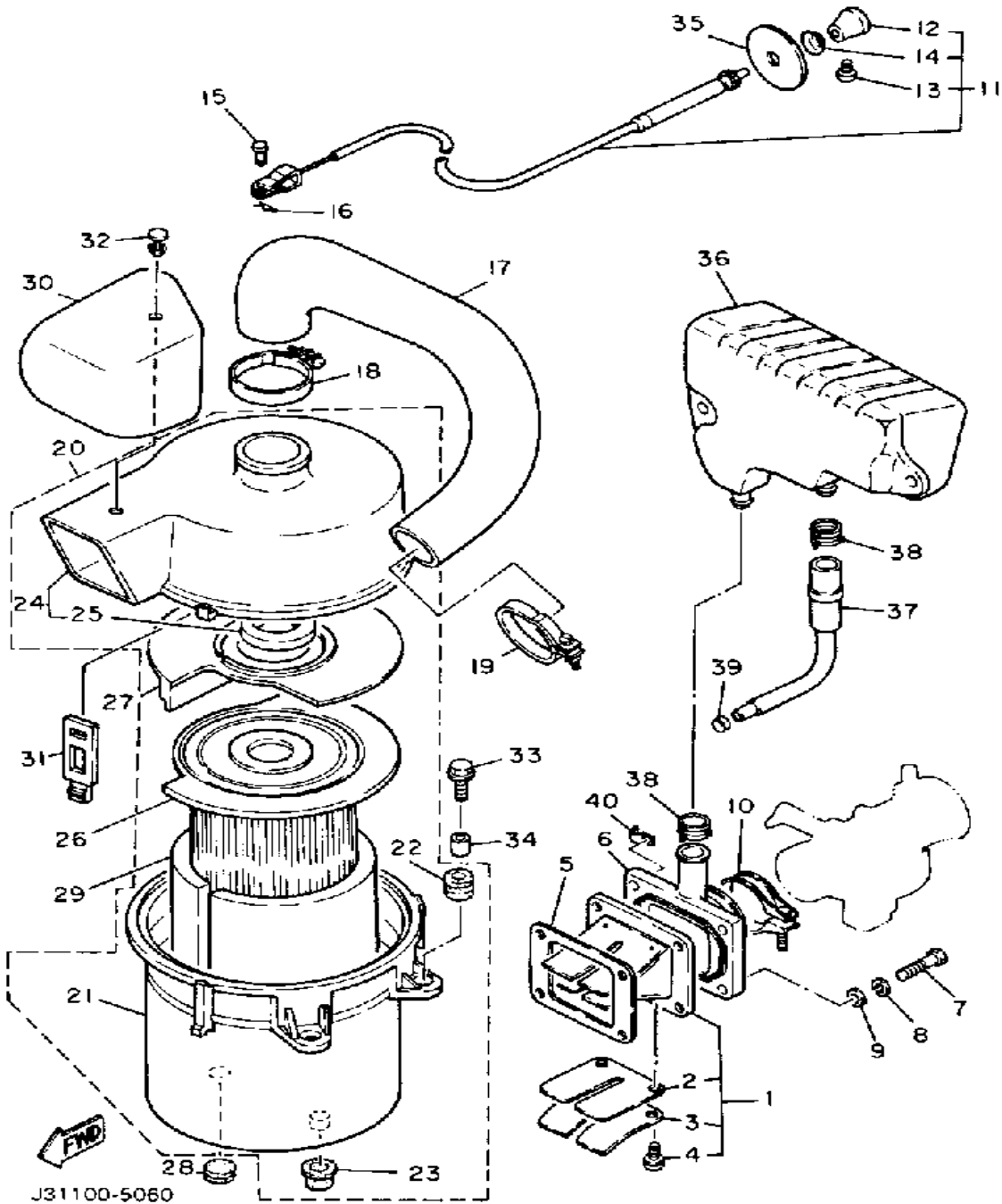
AIR FILTER



Ref. No.	Part Number	Description	Qty	Remarks
1	10V-13610-01-00	REED VALVE ASSEMBLY	1	
2	10V-13613-01-00	. REED, VALVE	2	
3	1UA-13616-00-00	. STOPPER REED VALVE	2	
4	98580-03008-00	. SCREW, PAN HEAD (98501-03008-00)	4	
5	3TT-13621-00-00	GASKET, VALVE SEAT (311-13621-01)	1	
6	J24-13586-00-00	JOINT, CARBURETOR 1	1	
7	97021-06030-00	BOLT	4	
8	92995-06100-00	WASHER, SPRING (92990-06100-00)	4	
9	92990-06600-00	WASHER, PLATE	4	
10	90460-41191-00	CLAMP, HOSE (90460-41146)	1	
11	J10-26331-02-00	CABLE, STARTER 1	1	
12	J10-26325-00-00	. KNOB, STARTER	1	
13	90149-03132-00	. SCREW, SPECIAL SHAPE	1	
14	J17-26339-09-00	. BOOT	1	
15	91701-05010-00	PIN, CYLINDER. HEAD	1	
16	90468-10050-00	CLIP	1	
17	J10-14453-00-00	JOINT, AIR CLNR 1	1	
18	1HX-13575-00-00	BAND	1	
19	90460-53239-00	CLAMP, HOSE	1	
20	J17-14410-00-00	AIR CLEANER ASSEMBLY 1	1	
21	J10-14411-01-00	. CASE, air cleaner 1	1	
22	90480-13238-00	. GROMMET	2	
23	90480-14239-00	. GROMMET	2	
24	J17-W1443-00-00	. CAP, cleaner case 1 (J17-14412-01-00)	1	
25	J10-14416-00-00	. GASKET, AIR CLEANER	1	
26	J10-14450-10-00	ELEMENT ASS'Y, air cleaner	1	

CONTINUED ON NEXT FRAME ►

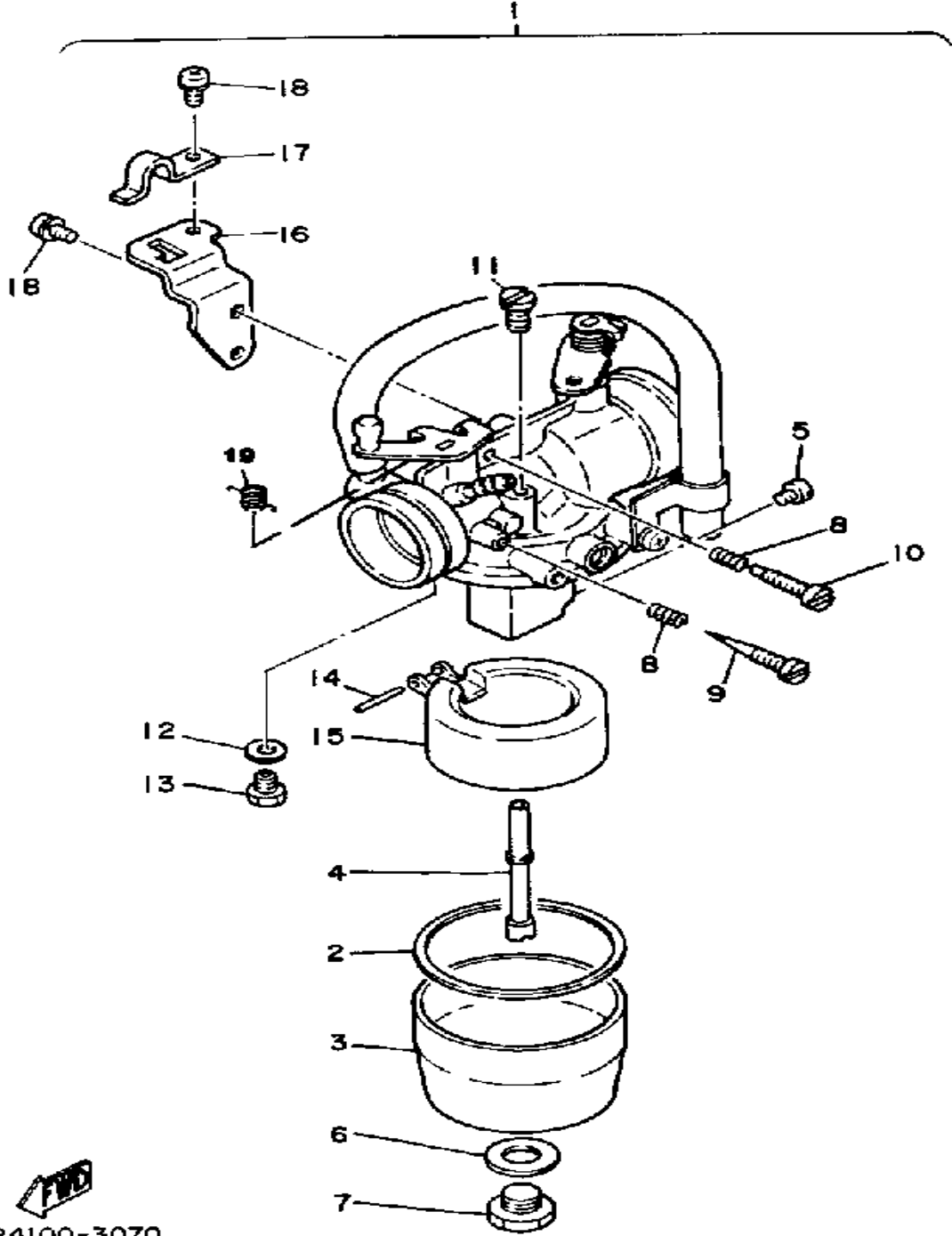
AIR FILTER



Ref. No.	Part Number	Description	Qty	Remarks
27	J10-1441F-00-00	PARTN, AIR CLNR CSAIR CLEANER CASE	1	
28	90480-14100-00	GROMMET	1	
29	J10-14417-00-00	COVER 1	1	
30	J17-12644-00-00	DEFLECTOR 3	1	
31	J10-14436-00-00	HOOK	3	
32	90269-65032-00	RIVET, SPEC'L SHAPE	1	
33	90119-06097-00	BOLT, WITH WASHER	2	
34	90387-06026-00	COLLAR	2	
35	90201-114E6-00	WASHER, PLATE	1	
36	J24-13581-00-00	CHAMBER, AIR	1	
37	J24-14388-00-00	VALVE, VAC CONTROL	1	
38	90468-08104-00	CLIP	2	
39	90468-02025-00	CLIP	1	
40	90462-08056-00	CLAMP	1	

CARBURETOR

Ref. No.	Part Number	Description	Qty	Remarks
1	J24-14101-01-00	CARBURETOR 1 (J24-14101-00)	1	
2	796-14184-00-00	. GASKET, FLOAT CHMBR ...	1	
3	796-14181-00-00	. BODY, FLOAT CHMBR 1	1	
4	J17-14141-00-00	. NOZZLE, MAIN	1	
5	3G2-14231-19-00	. JET, POWER (# 95)	1	
6	732-14237-00-00	. GASKET	1	
7	J10-14244-00-00	. HOLDER, NOZZLE	1	
8	620-14212-00-00	. SPRING, PILOT ADJUSTING .	2	
9	620-14211-00-00	. SPRING, PILOT ADJUSTING .	1	
10	J10-14122-00-00	. SCREW, THROTTLE	1	
11	620-14142-32-00	. JET, PILOT # 2	1	
	620-1414J-15-00	. JET, PILOT	1	
12	127-14195-00-00	. WASHER, NEEDLE VALVE ..	1	
13	353-14190-10-00	. NEEDLE VALVE ASSEMBLY .	1	
14	796-14186-00-00	. PIN, FLOAT CHAMBER	1	
15	796-14185-00-00	. FLOAT	1	
16	J10-14581-00-00	. BRACKET	1	
17	J10-14243-00-00	. PLATE	1	
18	98580-03008-00	. SCREW, PAN HEAD (98501-03008-00)	2	
19	256-14944-17-00	JET, MAIN 5		
	3G2-14231-18-00	JET, MAIN (90)		
	3G2-1423A-70-00	JET, MAIN 97 5		
	620-14142-08-00	JET, PILOT # 0		
	620-14142-30-00	JET, PILOT # 0		
	620-14142-32-00	JET, PILOT # 2		
	620-14142-35-00	JET, PILOT # 5		
	620-14142-37-00	JET, PILOT #37 5		
	620-14142-42-00	JET, PILOT #42 5		




J24100-3070

CONTINUED ON NEXT FRAME ►