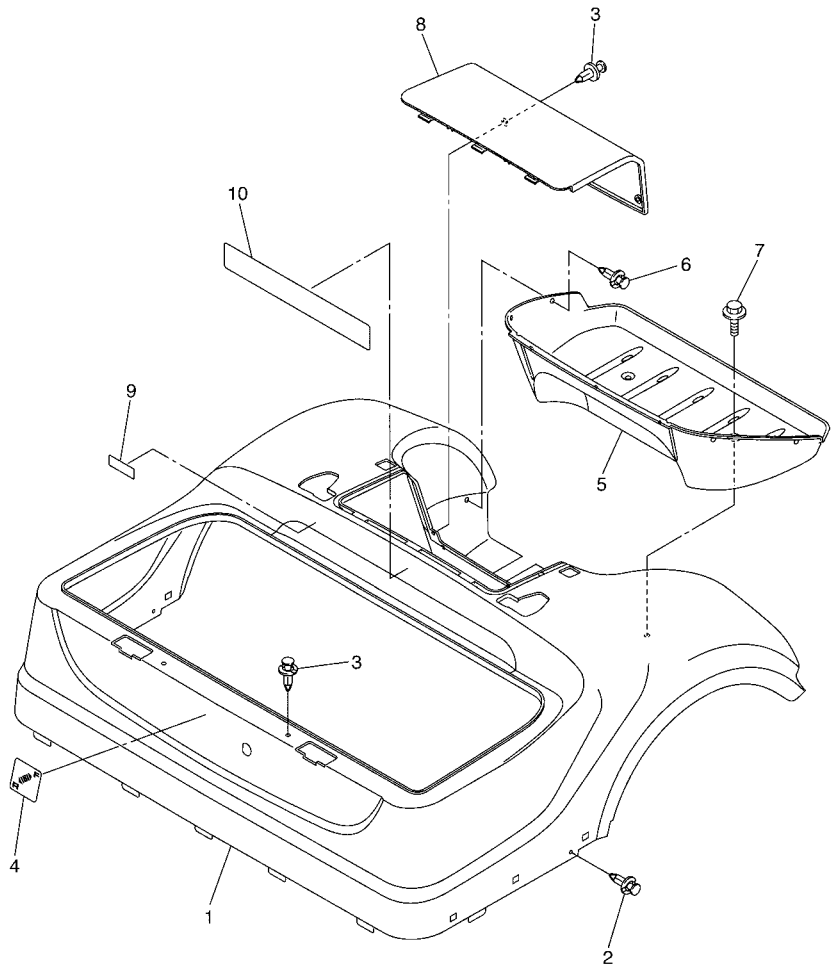


FIG. 25 BODY 2



REF. NO.	PART NO.	DESCRIPTION	JW11				REMARKS
1	JW1-K8142-00	PANEL, REAR BODY	1				UR FOR WS7 Go to P/N: PE0-GC-070003
	JW1-K8142-10	PANEL, REAR BODY	1				UR FOR VDGS1 Go to P/N: PE0-GC-070003
	JW1-K8142-20	PANEL, REAR BODY	1				UR FOR HTR Go to P/N: PE0-GC-070003
	JW1-K8142-30	PANEL, REAR BODY	1				UR FOR LNYM8 Go to P/N: PE0-GC-070003
	JW1-K8142-40	PANEL, REAR BODY	1				UR FOR NBM7 Go to P/N: PE0-GC-070003
	JW1-K8142-50	PANEL, REAR BODY	1				UR FOR BMG Go to P/N: PE0-GC-070003
	JW1-K8142-60	PANEL, REAR BODY	1				UR FOR DPBMT Go to P/N: PE0-GC-070003
2	90269-06804	RIVET	2				Go to P/N: PE0-GC-070003
3	90269-08813	RIVET	4				Go to P/N: PE0-GC-070003
4	JN3-K7741-00	INDICATOR 1	1				Go to P/N: PE0-GC-070003
5	JW1-K8237-00	COVER, REAR FLOOR	1				Go to P/N: PE0-GC-070003
6	90269-08813	RIVET	7				Go to P/N: PE0-GC-070003
7	90119-06868	BOLT, WITH WASHER	2				Go to P/N: PE0-GC-070003
8	JW1-K8151-00	PANEL, INSPECTION LID 1	1				Go to P/N: PE0-GC-070003
9	JN6-H2377-00	LABEL	1				Go to P/N: PE0-GC-070003
10	JW1-K8297-00	PLATE, CAUTION 1	1				Go to P/N: PE0-GC-070003



JW11100-E250